

TQB

TQB Brands Pty Ltd



Garage and Truck Jacks

Garage Jack - Air Hydraulic 3,000kg

Product Code: 2906T

This TradeQuip "Made for the Trade" Professional Quality low profile 2906T Garage Jack with twin piston 'quick lift' technology provides extra lift per pump of the handle. Fast lowering two-piece twist handle is fitted with a foam bumper preventing possible panel damage when being pumped. With a knurled steel handle for a steady grip and a solid, rolled edge welded steel construction, this heavy duty quick lift dual pump garage jack is built to last.

Features

- Tested in Australia ensuring full compliance with Mandatory Australian Standard AS2615:2016
- Professional quality rugged steel construction
- Low profile and deep reach
- 1400mm long handle for deeper reach
- Dual pump lift technology for a quicker lift
- Internal bypass valve overload protection
- Lead-free paint finish to ensure a long lasting finish and prevent rust
- Paint is oil, grease and dirt-resistant
- Protective foam handle cover prevents vehicle damage

Specifications

- Safe Working Capacity: 3,000kg
- Minimum Height: 118mm
- Maximum Height: 488mm
- Handle Length: 1400mm
- Front Castors: 90mm diameter - 40mm width
- Rear Castors: 60mm diameter - 25mm width
- Saddle Diameter: 115mm
- Dimensions: 670mm(L) x 380mm(W) x 170mm(H)
- Weight: 43kg

NOTE: This Garage Jack must only be used on hard level surfaces and be free to roll during lifting and lowering. **DO NOT** get under a vehicle that is only supported by this Garage Jack. **ALWAYS USE JACK STANDS!**

WARNING: Always ensure the vehicle wheels are chocked before lifting. This Garage Jack is a lifting and lowering device only and is designed for lifting part of the total vehicle. Do not move or dolly the vehicle whilst the vehicle is on this Garage Jack.

Intended Use

A heavy-duty floor jack designed for lifting and lowering (NOT SUPPORTING) loads in an automotive workshop with added capacity and maximum lift height required to handle most UTES, SUV's and light commercial vehicles.



MADE FOR THE TRADE



About the brand

Our Flagship brand of garage and workshop equipment, TradeQuip is designed for use in a demanding garage and workshop environment by trade users. With proven and trusted "Made for the Trade" reliability, TradeQuip branded products offer the very best in performance for an affordable price. The TradeQuip range is covered by a 12 month trade use warranty.

Truck Jack - Air Hydraulic 22,000kg



Product Code: 2004T

This TradeQuip "Made for the Trade" pneumatic heavy-duty 22,000kg Air Actuated Hydraulic Quick Lift Truck Jack has a powerful air motor to lift heavy loads. The efficient quick lift system is designed to ensure the lifting ram comes in contact with the load faster. The compact design easily fits between dual tandem axles. Ideal for lifting axles, farm vehicles, heavy-duty machinery, industrial equipment and more. Includes height adaptors.

Features

- Professional quality rugged steel construction
- Wear-resistant quality sealing O-rings
- Strong hydraulic pump
- Temperature-resistant hydraulic oil
- Treated and polished piston and ram
- Built-in bypass hydraulic safety overload system
- Compact design easily fits between dual tandem axles
- Quick Lift lifting ram comes in contact with the load faster
- Convenient & efficient height adaptors
- 3-position pumping handle
- High quality lead-free paint ensures long-lasting wear and prevents rust
- Oil, grease and dirt-resistant finish for easy cleanup

Specifications

- Safe Working Capacity: 22,000kg
- Lift Range: 225-552mm
- Hydraulic Lift: 124mm
- Adjustable Height: 103mm
- Air Supply: 110-125psi
- Adaptor Sizes: 21mm, 60mm 100mm
- Handle Length: 1160mm
- Chassis: 560L x 230H x 320W mm
- Wheel Diameter: 200mm
- Nett Weight: 45kg
- Carton: 675(L) x 345(W) x 250(H)mm
- Gross Weight: 47kg
- Note: Use only high quality hydraulic fluid eg. ISO68Wear-resistant quality sealing O-rings

MADE FOR THE TRADE



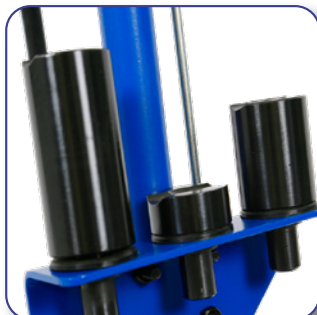
NOTE: This Garage Jack must only be used on hard level surfaces and be free to roll during lifting and lowering. DO NOT get under a vehicle that is only supported by this Garage Jack. ALWAYS USE JACK STANDS!

WARNING: Always ensure the vehicle wheels are chocked before lifting. This Garage Jack is a lifting and lowering device only and is designed for lifting part of the total vehicle. Do not move or dolly the vehicle whilst the vehicle is on this Garage Jack.



Intended Use

For professional heavy duty use on truck, agriculture, construction, mining, automotive, and marine applications where lifting and lowering is required.



About the brand

Our Flagship brand of garage and workshop equipment, TradeQuip is designed for use in a demanding garage and workshop environment by trade users. With proven and trusted "Made for the Trade" reliability, TradeQuip branded products offer the very best in performance for an affordable price. The TradeQuip range is covered by a 12 month trade use warranty.

Truck Jack - Air Actuated 22,000kg

Product Code: B2003T

This Borum "Industrial Quality" pneumatic heavy-duty 22,000kg Air Actuated Hydraulic Quick Lift Truck Jack has a powerful super duty air motor to easily and reliably lift heavy vehicle loads. This super-tough Truck Jack delivers enough air/hydraulic power to lift up to 22,000kg and is ideal for servicing trucks and farm equipment. Other features include 200mm diameter wheels for easy maneuverability, four saddle adaptors and a cast iron base with formed steel housing for added durability.

Built with the best components from the highest grades of rugged steel, to the wear-resistant advanced technology sealing rings and a heavy duty hydraulic pump that's filled with industrial grade high/low temperature-resistant hydraulic oil.

The alloy hardened piston-ram is treated and polished to resist thinning over time and uses an advanced Y-type polyurethane sealing ring system that keeps the jack solidly raised in the desired position, preventing the load from falling slowly. This jack is fitted with a built-in bypass hydraulic safety overload system for extra onsite safety. Even if the jack is loaded with too much weight, the safety overload kicks in and gently lowers the unit before the operator is put in a dangerous situation.

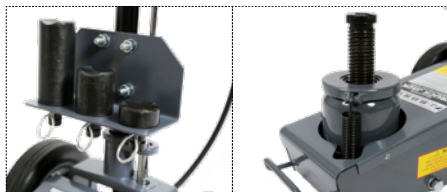
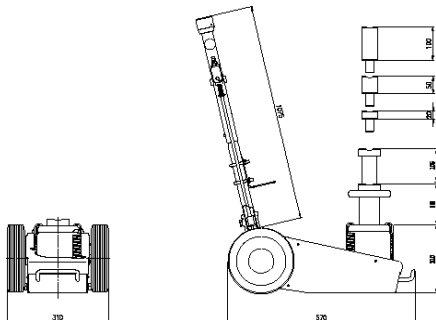
This 22,000kg Truck Jack is designed for industrial strength durability. The rugged super-grade steel frame is teamed with an industrial quality lead-free paint finish that covers the entire surface to ensure long-lasting wear and help prevent rust. The paint is also oil, grease and dirt-resistant for easy cleanup.

Features

- Solid heavy duty construction for superior performance
- Industry benchmark for harsh workplace conditions
- Hardened alloy plated ram ensures heavy duty performance
- Advanced hydraulic seal technology
- Fast motion super duty air pump
- Industry benchmark for heavy duty workplace conditions
- Advanced technology sealing rings
- High-low temperature-resistant hydraulic oil
- Treated and polished piston and ram
- Built-in bypass hydraulic safety overload system
- Convenient & efficient height adaptors
- 3-position pumping handle
- High quality lead-free paint ensures long-lasting wear and prevents rust
- Oil, grease and dirt-resistant finish for easy cleanup

Specifications

- Safe Working Capacity: 22,000kg
- Lift Range: 210-525mm
- Hydraulic Lift: 120mm
- Adjustable Height: 105mm
- Handle Length: 1075mm
- Air Supply: 100-120psi
- Wheel Diameter: 175mm
- Interchangeable Saddle Adaptors: 20 50 100mm
- Chassis: 570(L) x 215(H) x 310(W)mm
- Nett Weight: 48kg
- Carton: 660(L) x 360(W) x 280(H)mm
- Gross Weight: 50kg



Superior Quality since 1984



INDUSTRIAL QUALITY



About the Borum brand

Our "heavy duty commercial" range of Borum Industrial equipment has been manufactured to exacting standards for the past 39 years. We specify industrial quality components and design to ensure a long and durable working life in commercial transport, mining, earthmoving and railway environments. Our Borum Industrial range of equipment is focused on achieving superior professional standards, reliability, quality, and are covered by a 12 month trade use warranty.

Truck Jack - Air Actuated 20,000kg

Product Code: PROTRJA20T

The TQ Pro "Latest Technologies" Truck Jacks are made to TQB Brands specification using superior quality components that are built to exacting standards through CNC machining and Robotic Welding. The result is top industrial performance and reliability. TQ Pro "Latest Technologies" Truck Jacks are the perfect choice for a wide variety of uses. These Commercial Grade Jacks are carefully constructed from the highest grades of quality steel. The super strong hydraulic pump utilises wear-resistant American Made XTP double sealing ring technology. Only the finest quality of Hydraulic Oil is used that has been tested from -25°C - 60°C.

Use these quality truck jacks with a 145-175psi rated air pressure supply to lighten the load and provide the fast, strong lifting power you need. With several lifting options as well as included saddle adaptors...the wide range of TQ Pro "Latest Technologies" Truck Jacks will suit most desired applications from agriculture to mining, earth-moving to passenger transport as well as aviation and military.

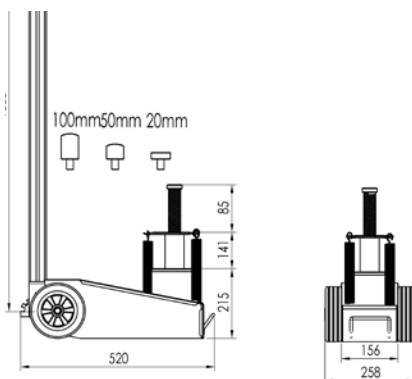
This Air Actuated Truck Jack is designed for heavy duty commercial use and features a long reach "T" handle and large rubber wheels for smooth manoeuvring around the workshop. As always with TQ Pro "Latest Technologies", safety is just as important as highest standard quality, so all TQ Pro "Latest Technologies" Truck Jacks have a built-in safety valve to prevent overloading and keep the operator safe. Additional safety feature includes a Self-Return lowering and lifting switch to ensure complete control during operation. With a minimum height of 215mm this jack is ideal for medium ground-clearance vehicles and a high lift maximum of 556mm (includes additional lifting saddles), this Air Actuated Truck Jack is a very versatile heavy-lifter suitable for most workshops.

Features

- Seals made in America
- Double Sealing Function using XTP Industry Sealing
- Telescopic air actuation lift (air-hydraulic pump)
- Long T-handle lets you easily position your jack under vehicle
- Self-Returning Lowering and Lifting Switch
- Internal and External Cylinders hard chromed
- High manoeuvrability & deep reach under vehicles
- 3 Extension adaptors / saddle plates
- Large rubber wheels
- All adaptors can be properly stored for transport on each side of the jack

Specifications

- Safe Working Capacity: 20,000kg
- Minimum Height: 215mm
- Maximum Height: 541mm
- Hydraulic Lift: 141mm
- Adjustable Screw: 85mm
- Adaptors: 20, 50, 100mm
- Handle Length: 1335mm
- Operating Air Pressure: 145-175psi
- Chassis: 520(L) x 215(H) x 258(W)mm
- Nett Weight: 40kg



TQ PRO

LATEST APPLIED TECHNOLOGIES

Trusted by serious professionals

Professional
Reputable
Outstanding

LATEST APPLIED
TECHNOLOGIES



About the TQ Pro brand

TQ Pro top quality Tools and Equipment are designed and manufactured for specialist professional use in a garage and workshop environment. TQ Pro products are strong, reliable, and well finished for the expert tool user who appreciates professional design, reliability, and attention to detail. Covered by our 12 month trade use warranty, our TQ Pro Tools & Equipment are made with pride to deliver the best combination of professional performance, presentation, and reliability.

Truck Jack - Air Actuated 2-Stage 25,000kg

Product Code: **BTJ1025TA**

The BORUM "Industrial Quality" Commercial Jacks are made to TQB Brands specification using quality components that are built to exacting standards through CNC machining and Robotic Welding. The result is top industrial performance and reliability. BORUM "Industrial Quality" Commercial Jacks are the perfect choice for a wide variety of uses. These Commercial Jacks are carefully constructed from the highest grades of rugged steel. The super strong hydraulic pump utilises wear-resistant American Made XTP double sealing ring technology. Only the finest quality of Hydraulic Oil is used that has been tested from -25°C - 60°C.

Use these workhorses with a 145-175psi rated air pressure supply to lighten the load and provide the fast, strong lifting power you need. With several lifting options as well as included saddle adaptors...the wide range of BORUM Commercial Jacks will suit most desired applications from agriculture to mining, earth-moving to passenger transport as well as aviation and military.

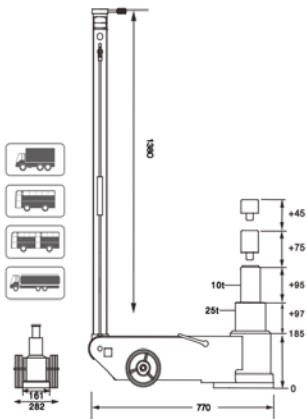
The BTJ1025TA quickly and easily manages a hefty 25,000kg in the first stage lift position and 10,000kg at the higher 2nd stage extension. This Air Actuated Commercial Jack is designed for heavy duty commercial use and features a long reach "T" handle and large rubber wheels for smooth manoeuvring around the workshop. As always with BORUM, safety is just as important as industrial standard quality, so all BORUM Truck Jacks have a built-in safety valve to prevent overloading and keep the operator safe. Additional safety feature includes a Self-Return lowering and lifting switch to ensure complete control during operation. With a low-profile minimum height of 185mm this jack is ideal for low ground-clearance vehicles and a high lift maximum of 497mm (includes additional lifting saddles), this BORUM Air Actuated Jack is a very versatile heavy-lifter suitable for most workshops.

Features

- Seals made in America
- Double Sealing Function using XTP Industry Sealing
- Telescopic air actuation lift (air-hydraulic pump)
- Long T-handle lets you easily position your jack under vehicle
- Self-Returning Lowering and Lifting Switch
- Internal and External Cylinders hard chromed
- High manoeuvrability & deep reach under vehicles
- 2 extension adaptors / saddle plates
- Large rubber wheels
- All adaptors can be properly stored for transport on each side of the jack

Specifications

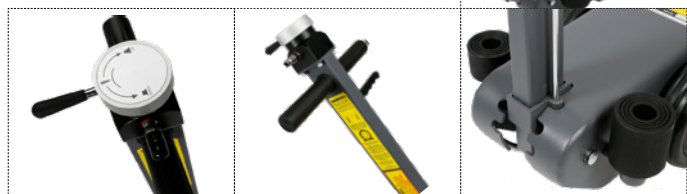
- First Stage: 25,000kg Safe Working Capacity
- Second Stage: 10,000kg Safe Working Capacity
- First Stage Hydraulic Lift: 97mm
- Second Stage Hydraulic Lift: 95mm
- Minimum Height: 185mm
- Maximum Height: 497mm
- Adaptors: 45mm and 75mm
- Handle Length: 1380mm
- Operating Air Pressure: 145-175psi
- Chassis: 770x282x185mm
- Nett Weight: 53kg



Superior Quality since 1984



INDUSTRIAL QUALITY



About the Borum brand

Our "heavy duty commercial" range of Borum Industrial equipment has been manufactured to exacting standards for the past 39 years. We specify industrial quality components and design to ensure a long and durable working life in commercial transport, mining, earthmoving and railway environments. Our Borum Industrial range of equipment is focused on achieving superior professional standards, reliability, quality, and are covered by a 12 month trade use warranty.

Truck Jack - Air Actuated 2-Stage 30,000kg

Product Code: **BTJ1530TA**

The BORUM "Industrial Quality" Commercial Jacks are made to TQB Brands specification using quality components that are built to exacting standards through CNC machining and Robotic Welding. The result is top industrial performance and reliability. BORUM "Industrial Quality" Commercial Jacks are the perfect choice for a wide variety of uses. These Commercial Jacks are carefully constructed from the highest grades of rugged steel. The super strong hydraulic pump utilises wear-resistant American Made XTP double sealing ring technology. Only the finest quality of Hydraulic Oil is used that has been tested from -25°C - 60°C.

Use these workhorses with a 145-175psi rated air pressure supply to lighten the load and provide the fast, strong lifting power you need. With several lifting options as well as included saddle adaptors...the wide range of BORUM Commercial Jacks will suit most desired applications from agriculture to mining, earth-moving to passenger transport as well as aviation and military.

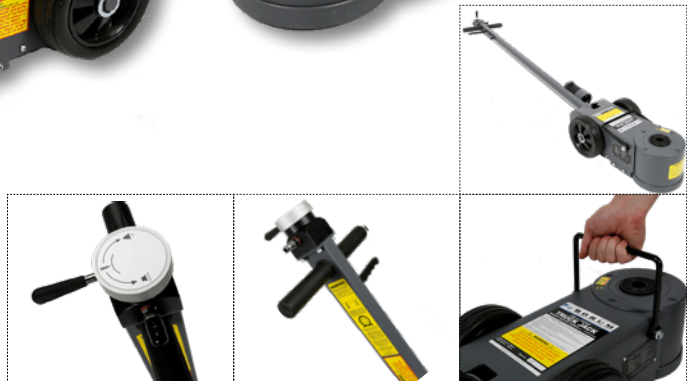
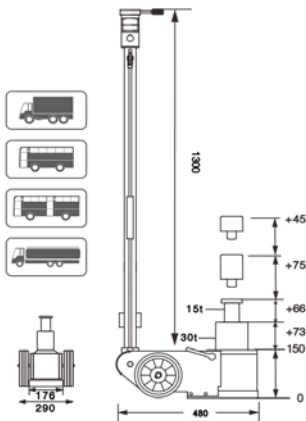
The BTJ1530TA quickly and easily manages a hefty 30,000kg in the first stage lift position and 15,000kg at the higher 2nd stage extension. This Air Actuated Commercial Jack is designed for heavy duty commercial use and features a long reach "T" handle and large rubber wheels for smooth manoeuvring around the workshop. As always with BORUM, safety is just as important as industrial standard quality, so all BORUM Truck Jacks have a built-in safety valve to prevent overloading and keep the operator safe. Additional safety feature includes a Self-Return lowering and lifting switch to ensure complete control during operation. With a low-profile minimum height of 150mm this jack is ideal for low ground-clearance vehicles and a high lift maximum of 409mm (includes additional lifting saddles), this BORUM Air Actuated Jack is a very versatile heavy-lifter suitable for most workshops.

Features

- Seals made in America
- Double Sealing Function using XTP Industry Sealing
- Telescopic air actuation lift (air-hydraulic pump)
- Long T-handle lets you easily position your jack under vehicle
- Self-Returning Lowering and Lifting Switch
- Internal and External Cylinders hard chromed
- High manoeuvrability & deep reach under vehicles
- 2 extension adaptors / saddle plates
- Large rubber wheels
- All adaptors can be properly stored for transport on each side of the jack

Specifications

- First Stage: 30,000kg Safe Working Capacity
- Second Stage: 15,000kg Safe Working Capacity
- First Stage Hydraulic Lift: 73mm
- Second Stage Hydraulic Lift: 66mm
- Minimum Height: 150mm
- Maximum Height: 409mm
- Adaptors: 45mm and 75mm
- Handle Length: 1300mm
- Operating Air Pressure: 145-175psi
- Chassis: 480x290x150mm
- Nett Weight: 38kg



Superior Quality since 1984



INDUSTRIAL QUALITY



About the Borum brand

Our "heavy duty commercial" range of Borum Industrial equipment has been manufactured to exacting standards for the past 39 years. We specify industrial quality components and design to ensure a long and durable working life in commercial transport, mining, earthmoving and railway environments. Our Borum Industrial range of equipment is focused on achieving superior professional standards, reliability, quality, and are covered by a 12 month trade use warranty.

Truck Jack - Air Actuated 2-Stage 30,000kg

Product Code: **BTJ1530TAM**

The BORUM "Industrial Quality" Commercial Jacks are made to TQB Brands specification using quality components that are built to exacting standards through CNC machining and Robotic Welding. The result is top industrial performance and reliability. BORUM "Industrial Quality" Commercial Jacks are the perfect choice for a wide variety of uses. These Commercial Jacks are carefully constructed from the highest grades of rugged steel. The super strong hydraulic pump utilises wear-resistant American Made XTP double sealing ring technology. Only the finest quality of Hydraulic Oil is used that has been tested from -25°C - 60°C.

Use these workhorses with a 145-175psi rated air pressure supply to lighten the load and provide the fast, strong lifting power you need. With several lifting options as well as included saddle adaptors...the wide range of BORUM Commercial Jacks will suit most desired applications from agriculture to mining, earth-moving to passenger transport as well as aviation and military.

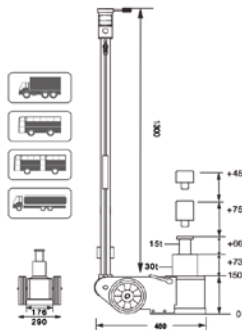
Weighing only 24kgs and designed for MOBILE SERVICE, the BTJ1530TAM quickly and easily manages a hefty 30,000kg in the first stage lift position and 15,000kg at the higher 2nd stage extension. This Air Actuated Mobile Service Jack is designed for heavy duty commercial use and features a long reach "T" handle and large rubber wheels for smooth manoeuvring. As always with BORUM, safety is just as important as industrial standard quality, so all BORUM Truck Jacks have a built-in safety valve to prevent overloading and keep the operator safe. Additional safety feature includes a Self-Return lowering and lifting switch to ensure complete control during operation. With a low-profile minimum height of 150mm this jack is ideal for low ground-clearance vehicles and a high lift maximum of 409mm (includes additional lifting saddles), this BORUM Air Actuated MOBILE SERVICE Jack is a very versatile heavy-lifter suitable for most workshops.

Features

- Mobile 24kg Total Weight
- Folding handle utilised for ultimate mobility
- Seals made in America
- Double Sealing Function using XTP Industry Sealing
- Telescopic air actuation lift (air-hydraulic pump)
- Long T-handle lets you easily position your jack under vehicle
- Self-Returning Lowering and Lifting Switch
- Internal and External Cylinders hard chromed
- High manoeuvrability & deep reach under vehicles
- 2 extension adaptors / saddle plates
- Large rubber wheels

Specifications

- First Stage: 30,000kg Safe Working Capacity
- Second Stage: 15,000kg Safe Working Capacity
- First Stage Hydraulic Lift: 73mm
- Second Stage Hydraulic Lift: 66mm
- Minimum Height: 150mm
- Maximum Height: 409mm
- Adaptors: 45 and 75mm
- Handle Length: 500mm
- Operating Air Pressure: 145-175psi
- Chassis: 490x275x150mm
- Nett Weight: 24kg



LIGHT & STRONG
24KG 'Fold Down'
FIELD SERVICE
TRUCK JACK
Lifts up to
30,000KG

BORUM
 INDUSTRIAL WORKSHOP EQUIPMENT

Superior
 Quality
 since
1984



**INDUSTRIAL
 QUALITY**



About the Borum brand

Our "heavy duty commercial" range of Borum Industrial equipment has been manufactured to exacting standards for the past 39 years. We specify industrial quality components and design to ensure a long and durable working life in commercial transport, mining, earthmoving and railway environments. Our Borum Industrial range of equipment is focused on achieving superior professional standards, reliability, quality, and are covered by a **12 month trade use warranty**.

Truck Jack - Air Actuated 35,000kg

Product Code: **BTJ35TA**

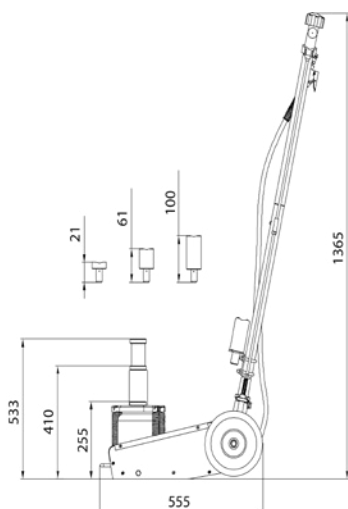
This "Borum Industrial" pneumatic heavy-duty 35,000kg Air Actuated Hydraulic Truck Jack has a powerful air motor to lift heavy loads. The efficient quick lift system is designed to ensure the lifting ram comes in contact with the load faster. The compact design easily fits between dual tandem axles. Ideal for lifting axles, farm vehicles, heavy-duty machinery, industrial equipment and more. This Borum Air/Hydraulic Truck Jack utilises compressed air to activate a booster cylinder, to move hydraulic oil within the cylinder up & down. It adopts a industrial hydraulic design combination of compressed air and hydraulic pressure, to create, strong jacking capacity and low lifting clearance in one jack. The two wheel floor support design lets you really get under your loads with a 255mm minimum height. Designed to lift buses and other large, low-clearance vehicles with maximum stability. Includes height adaptors.

Features

- Professional quality rugged steel construction
- Wear-resistant quality sealing O-rings
- Strong hydraulic pump
- Temperature-resistant hydraulic oil
- Treated and polished piston and ram
- Built-in bypass hydraulic safety overload system
- Compact design easily fits between dual tandem axles
- Quick Lift lifting ram comes in contact with the load faster
- Convenient & efficient height adaptors
- 3-position pumping handle
- High quality lead-free paint ensures long-lasting wear and prevents rust
- Oil, grease and dirt-resistant finish for easy cleanup

Specifications

- Safe Working Capacity: 35,000kg
- Max. Lift Height: 633mm
- Min. Lift Height: 255mm
- Hydraulic Lift: 155mm
- Adjustable Screw: 123mm
- Adaptors: 21,61,100mm
- Operating Air Pressure: 110-125psi
- Handle Length: 1110mm
- Chassis: 555(L) x 255(H) x 295(W)
- Nett Weight: 45kg
- Carton: 665 x 345 x 260mm
- Gross Weight: 47kg



**INDUSTRIAL
QUALITY**

BORUM
INDUSTRIAL WORKSHOP EQUIPMENT

Superior
Quality
since
1984



About the Borum brand

Our "heavy duty commercial" range of Borum Industrial equipment has been manufactured to exacting standards for the past 39 years. We specify industrial quality components and design to ensure a long and durable working life in commercial transport, mining, earthmoving and railway environments. Our Borum Industrial range of equipment is focused on achieving superior professional standards, reliability, quality, and are covered by a 12 month trade use warranty.

Truck Jack - Air Actuated 50,000kg

Product Code: **BTJ50TA**

This "Borum Industrial" pneumatic heavy-duty 50,000kg Air Hydraulic Truck Jack has a powerful air motor to lift heavy loads. The efficient quick lift system is designed to ensure the lifting ram comes in contact with the load faster. The compact design easily fits between dual tandem axles. Ideal for lifting axles, farm vehicles, heavy-duty machinery, industrial equipment and more. This Borum Air/Hydraulic Truck Jack utilises compressed air to activate a booster cylinder, to move hydraulic oil within the cylinder up & down. It adopts a industrial hydraulic design combination of compressed air and hydraulic pressure, to create, strong jacking capacity and low lifting clearance in one jack. The two wheel floor support design lets you really get under your loads with a 287mm minimum height. Designed to lift buses and other large, low-clearance vehicles with maximum stability. Includes height adaptors.

Features

- Professional quality rugged steel construction
- Wear-resistant quality sealing O-rings
- Strong hydraulic pump
- Temperature-resistant hydraulic oil
- Treated and polished piston and ram
- Built-in bypass hydraulic safety overload system
- Compact design easily fits between dual tandem axles
- Quick Lift lifting ram comes in contact with the load faster
- Convenient & efficient height adaptors
- 3-position pumping handle
- High quality lead-free paint ensures long-lasting wear and prevents rust
- Oil, grease and dirt-resistant finish for easy cleanup

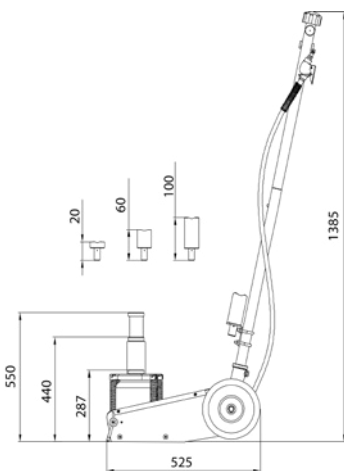
Specifications

- Safe Working Capacity: 50,000kg
- Lift Range: 287-650mm
- Hydraulic Lift: 153mm
- Screw Height: 110mm
- Adaptors: 20, 60, 100mm
- Operating Air Pressure: 110-125psi
- Handle Length: 1230mm
- Chassis: 525(L) x 288(H) x 325(W)mm
- Nett Weight: 57kg
- Carton: 680 x 360 x 310mm
- Gross Weight: 58kg

**INDUSTRIAL
QUALITY**

BORUM
INDUSTRIAL WORKSHOP EQUIPMENT

Superior
Quality
since
1984



About the Borum brand

Our "heavy duty commercial" range of Borum Industrial equipment has been manufactured to exacting standards for the past 39 years. We specify industrial quality components and design to ensure a long and durable working life in commercial transport, mining, earthmoving and railway environments. Our Borum Industrial range of equipment is focused on achieving superior professional standards, reliability, quality, and are covered by a 12 month trade use warranty.

Truck Jack - Air Actuated 3-Stage 50,000kg

Product Code: **BTJ102550TA**

The BORUM "Industrial Quality" Commercial Jacks are made to TQB Brands specification using quality components that are built to exacting standards through CNC machining and Robotic Welding. The result is top industrial performance and reliability. BORUM "Industrial Quality" Commercial Jacks are the perfect choice for a wide variety of uses. These Commercial Jacks are carefully constructed from the highest grades of rugged steel. The super strong hydraulic pump utilises wear-resistant American Made XTP double sealing ring technology. Only the finest quality of Hydraulic Oil is used that has been tested from -25°C - 60°C.

Use these workhorses with a 145-175psi rated air pressure supply to lighten the load and provide the fast, strong lifting power you need. With several lifting options as well as included saddle adaptors...the wide range of BORUM Commercial Jacks will suit most desired applications from agriculture to mining, earth-moving to passenger transport as well as aviation and military.

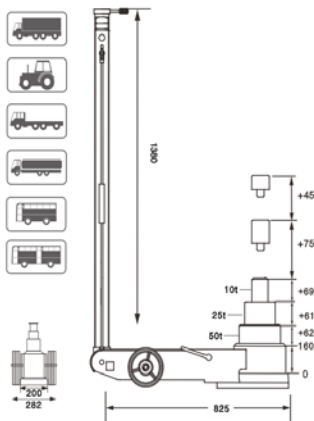
The BTJ102550TA quickly and easily manages a hefty 50,000kg in the first stage lift position, 25,000kg at the higher 2nd stage extension and 10,000kg at its highest 3rd extension. This Air Actuated Commercial Jack is designed for heavy duty commercial use and features a long reach "T" handle and large rubber wheels for smooth manoeuvring around the workshop. As always with BORUM, safety is just as important as industrial standard quality, so all BORUM Truck Jacks have a built-in safety valve to prevent overloading and keep the operator safe. Additional safety feature includes a Self-Return lowering and lifting switch to ensure complete control during operation. With a low-profile minimum height of 160mm this jack is ideal for low ground-clearance vehicles and a high lift maximum of 471mm (includes additional lifting saddles), this BORUM Air Actuated Jack is a very versatile heavy-lifter suitable for most workshops.

Features

- Seals made in America
- Double Sealing Function using XTP Industry Sealing
- Telescopic air actuation lift (air-hydraulic pump)
- Long T-handle lets you easily position your jack under vehicle
- Self-Returning Lowering and Lifting Switch
- Internal and External Cylinders hard chromed
- High manoeuvrability & deep reach under vehicles
- 2 extension adaptors / saddle plates
- Large rubber wheels
- All adaptors can be properly stored for transport on each side of the jack

Specifications

- First Stage: 50,000kg Safe Working Capacity
- Second Stage: 25,000kg Safe Working Capacity
- Third Stage: 10,000kg Safe Working Capacity
- First Stage Hydraulic Lift: 61mm
- Second Stage Hydraulic Lift: 61mm
- Third Stage Hydraulic Lift: 69mm
- Minimum Height: 160mm
- Maximum Height: 471mm
- Adaptors: 45mm and 75mm
- Handle Length: 1370mm
- Operating Air Pressure: 145-175psi
- Chassis: 825x282x160mm
- Nett Weight: 61kg



BORUM
INDUSTRIAL WORKSHOP EQUIPMENT

Superior
Quality
since
1984



**INDUSTRIAL
QUALITY**



About the Borum brand

Our "heavy duty commercial" range of Borum Industrial equipment has been manufactured to exacting standards for the past 39 years. We specify industrial quality components and design to ensure a long and durable working life in commercial transport, mining, earthmoving and railway environments. Our Borum Industrial range of equipment is focused on achieving superior professional standards, reliability, quality, and are covered by a **12 month trade use warranty**.

Truck Jack - Air Actuated 2-Stage 50,000kg

Product Code: **BTJ2550TA**

The BORUM "Industrial Quality" Commercial Jacks are made to TQB Brands specification using quality components that are built to exacting standards through CNC machining and Robotic Welding. The result is top industrial performance and reliability. BORUM "Industrial Quality" Commercial Jacks are the perfect choice for a wide variety of uses. These Commercial Jacks are carefully constructed from the highest grades of rugged steel. The super strong hydraulic pump utilises wear-resistant American Made XTP double sealing ring technology. Only the finest quality of Hydraulic Oil is used that has been tested from -25°C - 60°C.

Use these workhorses with a 145-175psi rated air pressure supply to lighten the load and provide the fast, strong lifting power you need. With several lifting options as well as included saddle adaptors...the wide range of BORUM Commercial Jacks will suit most desired applications from agriculture to mining, earth-moving to passenger transport as well as aviation and military.

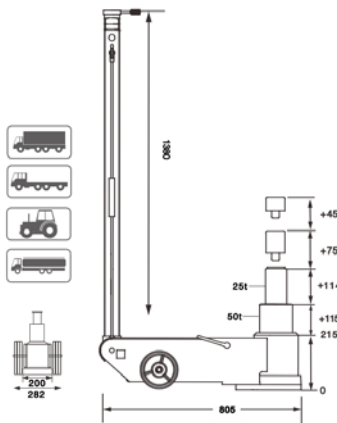
The BTJ2550TA quickly and easily manages a hefty 50,000kg in the first stage lift position and 25,000kg at the higher 2nd stage extension. This Air Actuated Commercial Jack is designed for heavy duty commercial use and features a long reach "T" handle and large rubber wheels for smooth manoeuvring around the workshop. As always with BORUM, safety is just as important as industrial standard quality, so all BORUM Truck Jacks have a built-in safety valve to prevent overloading and keep the operator safe. Additional safety feature includes a Self-Return lowering and lifting switch to ensure complete control during operation. With a minimum height of 215mm this jack is ideal for medium ground-clearance vehicles and a high lift maximum of 564mm (includes additional lifting saddles), this BORUM Air Actuated Jack is a very versatile heavy-lifter suitable for most workshops.

Features

- Seals made in America
- Double Sealing Function using XTP Industry Sealing
- Telescopic air actuation lift (air-hydraulic pump)
- Long T-handle lets you easily position your jack under vehicle
- Self-Returning Lowering and Lifting Switch
- Internal and External Cylinders hard chromed
- High manoeuvrability & deep reach under vehicles
- 2 extension adaptors / saddle plates
- Large rubber wheels
- All adaptors can be properly stored for transport on each side of the jack

Specifications

- First Stage: 50,000kg Safe Working Capacity
- Second Stage: 25,000kg Safe Working Capacity
- First Stage Hydraulic Lift: 115mm
- Second Stage Hydraulic Lift: 114mm
- Minimum Height: 215mm
- Maximum Height: 564mm
- Adaptors: 45mm and 75mm
- Handle Length: 1380mm
- Operating Air Pressure: 145-175psi
- Chassis: 805x282x215mm
- Nett Weight: 73kg



Superior Quality since 1984



INDUSTRIAL QUALITY



About the Borum brand

Our "heavy duty commercial" range of Borum Industrial equipment has been manufactured to exacting standards for the past 39 years. We specify industrial quality components and design to ensure a long and durable working life in commercial transport, mining, earthmoving and railway environments. Our Borum Industrial range of equipment is focused on achieving superior professional standards, reliability, quality, and are covered by a 12 month trade use warranty.

Truck Jack - Air Actuated 60,000kg

Product Code: **BTJ60TA**

The BORUM "Industrial Quality" Commercial Jacks are made to TQB Brands specification using quality components that are built to exacting standards through CNC machining and Robotic Welding. The result is top industrial performance and reliability. BORUM "Industrial Quality" Commercial Jacks are the perfect choice for a wide variety of uses. These Commercial Jacks are carefully constructed from the highest grades of rugged steel. The super strong hydraulic pump utilises wear-resistant American Made XTP double sealing ring technology. Only the finest quality of Hydraulic Oil is used that has been tested from -25°C - 60°C.

Use these workhorses with a 145-175psi rated air pressure supply to lighten the load and provide the fast, strong lifting power you need. With several lifting options as well as included saddle adaptors...the wide range of BORUM Commercial Jacks will suit most desired applications from agriculture to mining, earth-moving to passenger transport as well as aviation and military.

The BTJ60TA quickly and easily manages a hefty 60,000kg. This Air Actuated Commercial Jack is designed for heavy duty commercial use and features a long reach "T" handle and large rubber wheels for smooth manoeuvring around the workshop. As always with BORUM, safety is just as important as industrial standard quality, so all BORUM Truck Jacks have a built-in safety valve to prevent overloading and keep the operator safe. Additional safety feature includes a Self-Return lowering and lifting switch to ensure complete control during operation. With a minimum height of 420mm this jack is ideal for high axle vehicles and a high lift maximum of 1031mm (includes additional lifting saddles), this BORUM Air Actuated Jack is a very versatile heavy-lifter suitable for most workshops.

BORUM
INDUSTRIAL WORKSHOP EQUIPMENT

Superior
Quality
since
1984



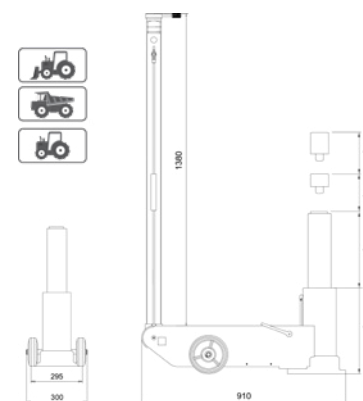
**INDUSTRIAL
QUALITY**

Features

- Seals made in America
- Double Sealing Function using XTP Industry Sealing
- Telescopic air actuation lift (air-hydraulic pump)
- Long T-handle lets you easily position your jack under vehicle
- Self-Returning Lowering and Lifting Switch
- Internal and External Cylinders hard chromed
- High manoeuvrability & deep reach under vehicles
- Designed for extremely high axles
- 2 extension adaptors / saddle plates
- Large rubber wheels
- All adaptors can be properly stored for transport on each side of the jack

Specifications

- Safe Working Capacity: 60,000kg
- Lift Range: 420 - 1031mm
- Hydraulic Lift: 311mm
- Adaptors: 100mm and 200mm
- Handle Length: 1290mm
- Operating Air Pressure: 145-175psi
- Chassis: 910(L)x420(H)x300(W)mm
- Nett Weight: 126kg
- Carton: 925x320x450mm
- Gross Weight: 132kg



About the Borum brand

Our "heavy duty commercial" range of Borum Industrial equipment has been manufactured to exacting standards for the past 39 years. We specify industrial quality components and design to ensure a long and durable working life in commercial transport, mining, earthmoving and railway environments. Our Borum Industrial range of equipment is focused on achieving superior professional standards, reliability, quality, and are covered by a 12 month trade use warranty.

Truck Jack - Air Actuated 3-Stage 60,000kg

Product Code: **BTJ204060TA**

The BORUM "Industrial Quality" Commercial Jacks are made to TQB Brands specification using quality components that are built to exacting standards through CNC machining and Robotic Welding. The result is top industrial performance and reliability. BORUM "Industrial Quality" Commercial Jacks are the perfect choice for a wide variety of uses. These Commercial Jacks are carefully constructed from the highest grades of rugged steel. The super strong hydraulic pump utilises wear-resistant American Made XTP double sealing ring technology. Only the finest quality of Hydraulic Oil is used that has been tested from -25°C - 60°C.

Use these workhorses with a 145-175psi rated air pressure supply to lighten the load and provide the fast, strong lifting power you need. With several lifting options as well as included saddle adaptors...the wide range of BORUM Commercial Jacks will suit most desired applications from agriculture to mining, earth-moving to passenger transport as well as aviation and military.

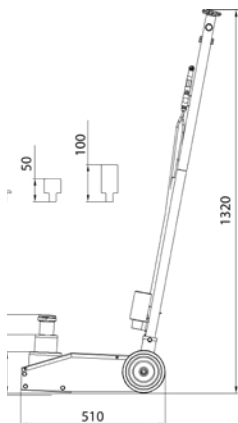
The BTJ204060TA quickly and easily manages a hefty 60,000kg in the first stage lift position, 40,000kg at the higher 2nd stage extension and 20,000kg at its highest 3rd extension. This Air Actuated Commercial Jack is designed for heavy duty commercial use and features a long reach "T" handle and large rubber wheels for smooth manoeuvring around the workshop. As always with BORUM, safety is just as important as industrial standard quality, so all BORUM Truck Jacks have a built-in safety valve to prevent overloading and keep the operator safe. Additional safety feature includes a Self-Return lowering and lifting switch to ensure complete control during operation. With a low-profile minimum height of 150mm this jack is ideal for low ground-clearance vehicles and a high lift maximum of 447mm (includes additional lifting saddles), this BORUM Air Actuated Jack is a very versatile heavy-lifter suitable for most workshops.

Features

- American made seals
- Double sealing function using XTP Industry Sealing
- Telescopic air actuation lift (air-hydraulic pump)
- Long T-handle lets you easily position your jack under vehicle
- Self-Returning Lowering and Lifting Switch
- Internal and External Cylinders hard chromed
- High manoeuvrability & deep reach under vehicles
- 2 extension adaptors / saddle plates
- Large rubber wheels
- All adaptors can be properly stored for transport on each side of the jack

Specifications

- First Stage: 60,000kg Safe Working Capacity
- Second Stage: 40,000kg Safe Working Capacity
- Third Stage: 20,000kg Safe Working Capacity
- First Stage Hydraulic Lift: 57mm
- Second Stage Hydraulic Lift: 59mm
- Third Stage Hydraulic Lift: 61mm
- Minimum Height: 150mm
- Maximum Height: 447mm
- Adaptors: 45mm and 75mm
- Handle Length: 1380mm
- Operating Air Pressure: 145-175psi
- Chassis: 875x295x150mm
- Nett Weight: 67kg



Superior Quality since 1984



INDUSTRIAL QUALITY



About the Borum brand

Our "heavy duty commercial" range of Borum Industrial equipment has been manufactured to exacting standards for the past 39 years. We specify industrial quality components and design to ensure a long and durable working life in commercial transport, mining, earthmoving and railway environments. Our Borum Industrial range of equipment is focused on achieving superior professional standards, reliability, quality, and are covered by a 12 month trade use warranty.

Truck Jack - Air Actuated 2-Stage 80,000kg

Product Code: **BTJ5080TA**

The BORUM "Industrial Quality" Commercial Jacks are made to TQB Brands specification using quality components that are built to exacting standards through CNC machining and Robotic Welding. The result is top industrial performance and reliability. BORUM "Industrial Quality" Commercial Jacks are the perfect choice for a wide variety of uses. These Commercial Jacks are carefully constructed from the highest grades of rugged steel. The super strong hydraulic pump utilises wear-resistant American Made XTP double sealing ring technology. Only the finest quality of Hydraulic Oil is used that has been tested from -25°C - 60°C.

Use these workhorses with a 145-175psi rated air pressure supply to lighten the load and provide the fast, strong lifting power you need. With several lifting options as well as included saddle adaptors...the wide range of BORUM Commercial Jacks will suit most desired applications from agriculture to mining, earth-moving to passenger transport as well as aviation and military.

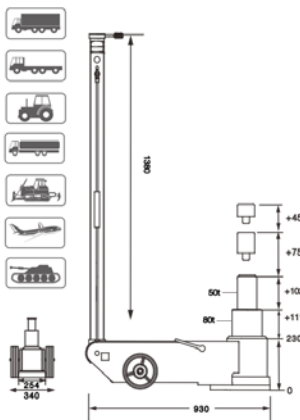
The BTJ5080TA quickly and easily manages a hefty 80,000kg in the first stage lift position and 50,000kg at the higher 2nd stage extension. This Air Actuated Commercial Jack is designed for heavy duty commercial use and features a long reach "T" handle and large rubber wheels for smooth manoeuvring around the workshop. As always with BORUM, safety is just as important as industrial standard quality, so all BORUM Truck Jacks have a built-in safety valve to prevent overloading and keep the operator safe. Additional safety feature includes a Self-Return lowering and lifting switch to ensure complete control during operation. With a minimum height of 230mm this jack is ideal for medium ground-clearance vehicles and a high lift maximum of 563mm (includes additional lifting saddles), this BORUM Air Actuated Jack is a very versatile heavy-lifter suitable for most workshops.

Features

- Seals made in America
- Double Sealing Function using XTP Industry Sealing
- Telescopic air actuation lift (air-hydraulic pump)
- Long T-handle lets you easily position your jack under vehicle
- Self-Returning Lowering and Lifting Switch
- Internal and External Cylinders hard chromed
- High manoeuvrability & deep reach under vehicles
- 2 extension adaptors / saddle plates
- Large rubber wheels
- All adaptors can be properly stored for transport on each side of the jack

Specifications

- First Stage: 80,000kg Safe Working Capacity
- Second Stage: 50,000kg Safe Working Capacity
- First Stage Hydraulic Lift: 111mm
- Second Stage Hydraulic Lift: 102mm
- Minimum Height: 230mm
- Maximum Height: 563mm
- Adaptors: 45, 75mm
- Handle Length: 1380mm
- Operating Air Pressure: 145-175psi
- Chassis: 930(L) x 230(H) x 340(W)mm
- Nett Weight: 106kg
- Carton: 940x360x260mm



About the Borum brand

Our "heavy duty commercial" range of Borum Industrial equipment has been manufactured to exacting standards for the past 39 years. We specify industrial quality components and design to ensure a long and durable working life in commercial transport, mining, earthmoving and railway environments. Our Borum Industrial range of equipment is focused on achieving superior professional standards, reliability, quality, and are covered by a 12 month trade use warranty.



Superior Quality since 1984



INDUSTRIAL QUALITY





TQB Brands Pty Ltd

TQB Brands has grown to become one of the most respected garage equipment suppliers in Australia and markets the recognised leading brands TradeQuip, TQ Pro, Borum and Red Label Nationally through 1000+ distributors. We offer an extensive range of products including Garage & Workshop, Industrial, Agricultural and Vehicle Service Equipment. We continually strive to introduce new and innovative garage and workshop tools and equipment for the professional, which comply with mandatory Australian Standards. TQB Brands aims to achieve great value for money whilst not compromising on quality. TQB Brands prides itself on offering fit for purpose product through our tiered brand offerings.



Our **Flagship** brand of garage and workshop equipment, **TradeQuip** is designed for use in a demanding **garage and workshop** environment by trade users. With proven and trusted **“Made for the Trade”** reliability, **TradeQuip** branded products offer the very best in performance for an affordable price. The **TradeQuip** range is covered by a **12 month trade use warranty**.



Our **“heavy duty commercial”** range of **Borum Industrial** equipment has been manufactured to exacting standards for the past **39 years**. We specify industrial quality components and design to ensure a long and durable working life in **commercial transport, mining, earthmoving and railway** environments. Our **Borum Industrial** range of equipment is focused on achieving superior professional standards, reliability, quality, and are covered by a **12 month trade use warranty**.



TQ Pro top quality Tools and Equipment are designed and manufactured for specialist professional use in a garage and workshop environment. **TQ Pro** products are strong, reliable, and well finished for the **expert tool user** who appreciates professional design, reliability, and attention to detail. Covered by our **12 month trade use warranty**, our **TQ Pro** Tools & Equipment are made with pride to deliver the best combination of professional performance, presentation, and reliability.