

# Owners Manual

Product Code: 6010T

**MADE FOR THE  
TRADE**



## SCISSOR LIFT WORKSHOP TROLLEY



### Specifications:

- Safe Working Capacity: 225kg
- Maximum Height: 710mm
- Minimum Height: 225mm
- Table Size: 708(L) x 450(W)mm

### About the Tradequip brand

The 'Tradequip' brand of workshop equipment, is designed for use in a demanding workshop environment by professional users. With proven and trusted "Made for the Trade" reliability, 'Tradequip' branded products offer the very best in performance for an affordable price. All backed by a 1year trade guarantee across 1,000+ distributors Australia wide.



**WARNING INFORMATION**

**IMPORTANT: READ ALL INSTRUCTIONS BEFORE USE**



**WARNING**

The instructions and warnings contained in this manual should be read and understood before using or operating this equipment. Do not allow anyone to use or operate this equipment until they have read this manual and have developed a thorough understanding of how this equipment works. Failure to observe any of the instructions contained in the manual could result in severe personal injury to the user or bystanders, or cause damage to the equipment and property. Keep this manual in a convenient and safe place for future reference.

Whilst every effort has been made to ensure accuracy of information contained in this manual, the TQB Brands Pty Ltd policy of continuous improvement determines the right to make modifications without prior warning.

**CONTENT**

WARNING INFORMATION ..... 2

CONTENT ..... 2

STANDARD OPERATING PROCEDURE ..... 3

ASSEMBLY, OPERATION, PREVENTITIVE MAINTENANCE ..... 4

PARTS DIAGRAM (TABLE) ..... 6

PARTS LIST (TABLE) ..... 7

PARTS DIAGRAM (PUMP) ..... 8

PARTS LIST (PUMP) ..... 9

WARRANTY ..... 10

## STANDARD OPERATING PROCEDURE

**DO NOT** use this machine unless you have been trained and assessed to a competent level in its safe use and operation, and have been given permission to use this



DO NOT tilt the unit



Wear the correct PPE

### PRE-OPERATIONAL SAFETY CHECKS

Save these instructions. For your safety, read, understand, and follow the information provided with and on this hydraulic scissor lift trolley before use.

- This Hydraulic Scissor Lift Trolley should be used for lifting and lowering only.
- No person should get any part of the body under a load that is supported by this Hydraulic Scissor Lift Trolley.
- Do not overload this hydraulic scissor lift trolley beyond its rated capacity.
- Overloading this Hydraulic Scissor Lift Trolley beyond its rated capacity can cause damage to or failure of the Hydraulic Scissor Lift Trolley.
- Use only on hard level surfaces. Use on other than hard level surfaces can result in Hydraulic Scissor Lift Trolley instability and wheel damage.
- Do not allow people to sit or ride on the Hydraulic Scissor Lift Trolley.
- Do not transport heavy loads in the raised position.
- Keep hands & feet clear of the Hydraulic Scissor Lift Trolley hinge mechanism & ground contact area when lowering the load.
- Ensure castor brakes are engaged when loading and unloading.
- When servicing, use only TradeQuip identical replacement parts. Use of any other parts will void the warranty.
- Use the right product for the job. There are certain applications for which the Hydraulic Scissor Lift Trolley was designed. Do not modify the Hydraulic Scissor Lift Trolley and do not use the Hydraulic Scissor Lift Trolley for a purpose for which it was not intended.
- Failure to comply with the above warnings may result in personal injury and/or property damage.

### INTENDED USE

For lifting both heavy and light work pieces and workloads. Scissor Lift tables raise, position, and transport workloads and workpieces to minimise risk of injury.

## ASSEMBLY, OPERATION, PREVENTITIVE MAINTENANCE

### 1. FEATURES

This **TradeQuip** Hydraulic Scissor Lift Trolley is widely used as a scissor lift table to transport parts and materials around the workshop. This Hydraulic Scissor Lift Trolley can be manually pumped to the required height through its hydraulic foot pump mechanism. The foot pump raises and lowers the platform using a single scissor lift and hydraulic cylinder. In addition, the TradeQuip 6008T can be used as a convenient mobile work bench so you can work at different heights to reduce the risk of injury.

### 2. ASSEMBLY

**Unpack the table and check contents with list below. Should there be any damaged or missing parts, contact your supplier immediately.**

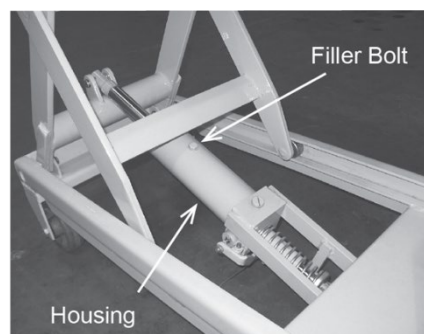
1. The Hydraulic Scissor Lift Trolley has minimal assembly required.
2. Place the Lifting Pedal(27) into the Lifting Pedal Assembly (30) using Bolt (29) , washer(15) and nut(12).
3. Install the Handle (21) to the Base Assembly (17) using Bolt (20).
4. **Note:** The Control Lever (22) controls the operation of the Hydraulic Ram unit. To lower the Ram and Table, squeeze the Control Lever. When the Control Lever is released, the Ram and Table movement will stop and the table will remain stationary.
5. Your Hydraulic Scissor Lift Trolley is now ready for use.



### 3. BEFORE USE

Before using this Hydraulic Scissor Lift Trolley, the hydraulic ram must be purged of air (called bleeding).

1. Remove any load from the Table.
2. Release the Control Lever (22), then repeatedly pump the Foot Pedal (27).
3. When the table has been raised, remove the Filler Bung (P22) from the Housing. Use a rag to catch any fluid leaks.
4. Keeping hands and tools clear, squeeze the Control Lever while pumping the Foot Pedal several times rapidly to lower the Table.
5. Release the Control Lever, and pump more slowly to raise the Table to its full height.
6. Add good quality hydraulic fluid into the opening in the Housing where the Filler Bolt has been removed. Fill until the Housing will hold no more fluid.
7. Replace the Filler Bung and its Seal Washer into the Housing, tighten, but do not overtighten to avoid damaging the Washer.
8. Check the condition of the Hydraulic Lift Table before use. Raise and lower it several times before adding any load. Be sure that all controls work properly.



**Figure B**

#### 4. OPERATION

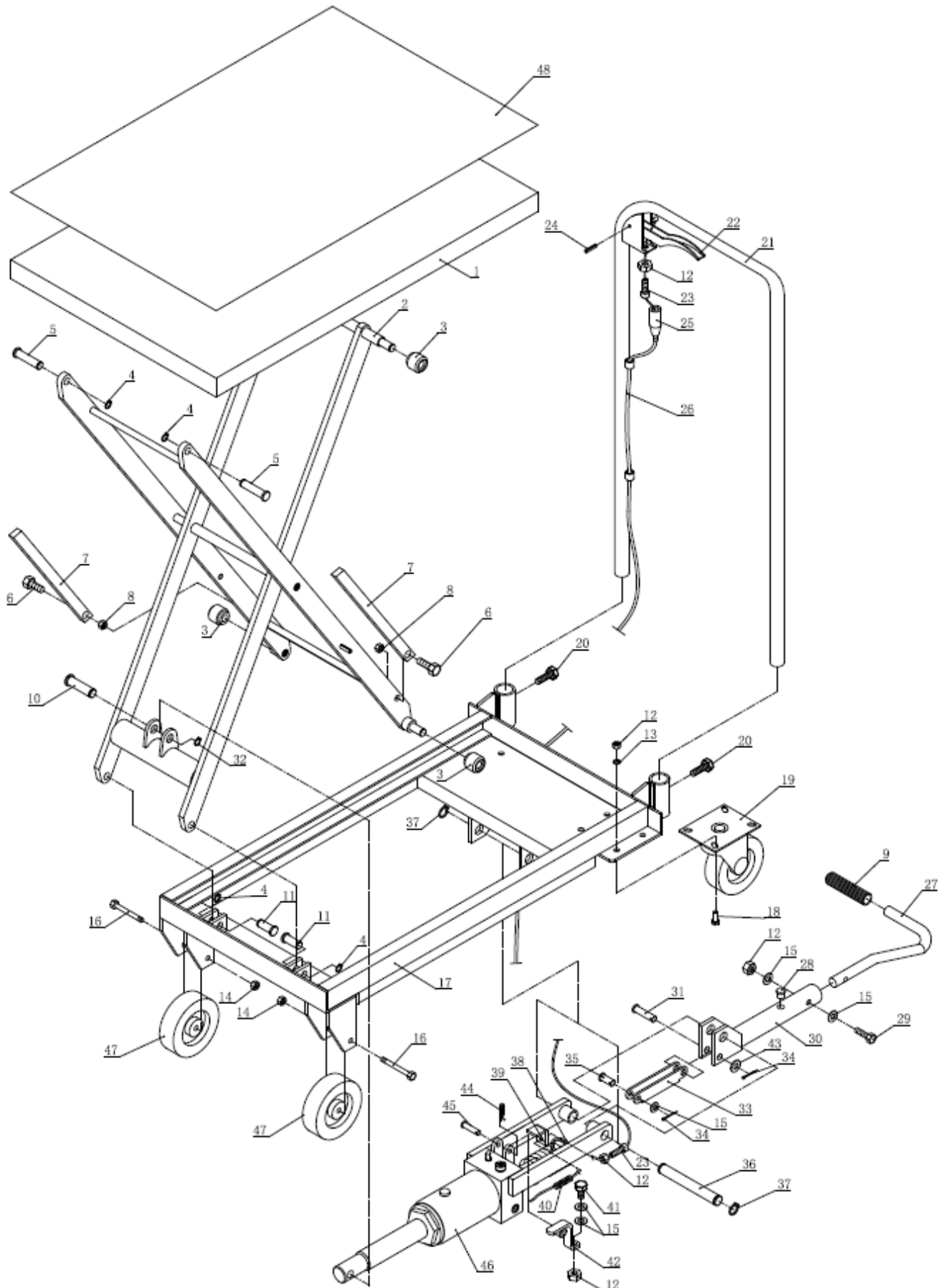
1. Before placing anything on the Hydraulic Scissor Lift Trolley, lock the back two casters. The locking swivel castors can be locked by pressing the lever down into the locked position with your foot. Test the cart operation using the Foot Pedal (27) and Control Lever (22). Make sure the table raises and lowers properly before adding weight to the table.
2. Observing safe lifting procedures, move the workpiece onto the Hydraulic Scissor Lift Trolley. If necessary, secure the item onto the Hydraulic Scissor Lift Trolley using tie-downs or chocks to keep it stable while moving.
3. Release the locking swivel castors by moving the levers to the unlock position. Move the workpiece to the desired location.
4. Always ensure castor wheel brakes are engaged prior to loading and unloading.
5. To raise the table, ensure that the control lever is in the released position. Press repeatedly on the foot pedal to raise the table.
6. After raising the load, turn the 2x locking bars (7) clockwise until it reaches the safety position. Before lowering, turn the locking bar (7) back.
7. To lower the table, squeeze the control lever (22). The Hydraulic Scissor Lift Trolley has a 2-speed valve. Squeeze the lever halfway for slowly lowering a load. Squeeze it fully for quickly lowering the table when empty.

#### 5. MAINTENANCE

Inspect the product for damage, wear, broken or missing parts and that all components function before each use. Remove from service immediately if damaged in any way.

1. When not in use, the table must be stored in the lowest position in a dry location to minimize ram and piston corrosion.
2. Remove all dirt or corrosion with a clean cloth.
3. Check the movement and wear of wheels.
4. Lubricate the wheels to ensure smooth rolling.
5. Lubricate each friction point monthly with a good grease.
6. Inspect for hydraulic oil leakage and add oil as needed.
7. Inspect all joints and bolts periodically. Remove from service if any cracking or if the frame is bent or deformed.
8. If you find that the lifting range per stroke is too small, lift the table to 2/3 of the maximum height, then loosen the oil bung (P22) and then tighten it.
9. Check the hydraulic oil level. If it is not adequate, remove the oil bung (P22) on the hydraulic pump and add hydraulic oil as necessary. DO NOT use brake fluid or any other improper fluid. Only a good quality hydraulic jack oil can be used.
10. Lubricate each friction point monthly with multi-purpose grease.

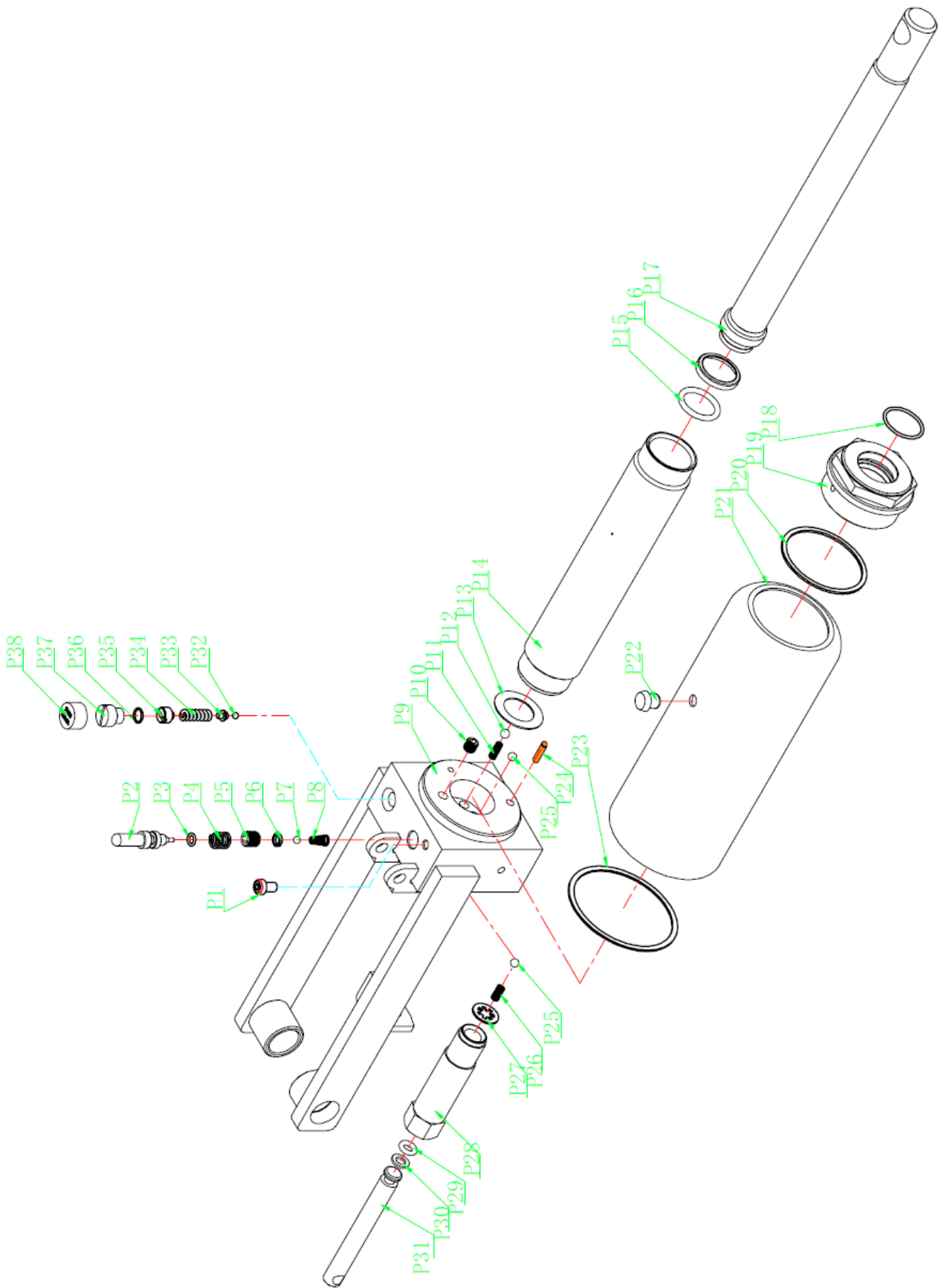
PARTS DIAGRAM (TABLE)



## PARTS LIST (TABLE)

Part#	Description	Qty	Part#	Description	Qty
1	Plate Form	1	25	Protection For Cable	1
2	Lifting Arm	1	26	Cable	1
3	Nylon Roller	4	27	Pump Pedal	1
4	Retainer Ring	4	28	Rubber Cover for Pedal	1
5	Pin	2	29	Bolt	1
6	Bolt	2	30	Pedal Assembly	1
7	Safety Bar	2	31	Pin	1
8	Nut	2	32	Retainer Ring	1
9	Rubber Cover	1	33	Connection Plate	1
10	Pin	1	34	Cotter Pin	2
11	Pin	2	35	Pin	1
12	Nut	12	36	Pin	1
13	Lock Washer	8	37	Retainer Ring	2
14	Nut	2	38	Spring Cap	1
15	Washer	5	39	Spring	1
16	Bolt	2	40	Spring	1
17	Base Frame	1	41	Screw	1
18	Bolt	8	42	Link Rod	1
19	Caster Wheel	2	43	Washer	1
20	Bolt	2	44	R-Pin	1
21	Handle Tube	1	45	Pin	1
22	Releasing Handle	1	46	Pump Assembly	1
23	Screw	2	47	Fixed Wheel	2
24	Pin	1	48	Rubber Pad	1

PARTS DIAGRAM (PUMP)





## PARTS LIST (PUMP)

Part#	Description	Qty	Part#	Description	Qty
P1	Screw	1	P20	Washer	1
P2	Valve Core	1	P21	Cover	1
P3	O-Ring	1	P22	Oil Plug	1
P4	Spring	1	P23	Seal	1
P5	Valve Seat	1	P24	Filter	1
P6	Copper Washer	1	P25	Steel Ball	2
P7	Steel Ball	1	P26	Spring	1
P8	Spring	1	P27	Copper Washer	1
P9	Pump Base	1	P28	Piston Seat	1
P10	Screw	1	P29	O-Ring	1
P11	Spring	1	P30	Nylon Retainer Ring	1
P12	Steel Ball	1	P31	Piston Core	1
P13	Seal	1	P32	Steel Ball	1
P14	Ram	1	P33	Steel Ball Seat	1
P15	O-Ring	1	P34	Spring	1
P16	Seal	1	P35	Screw	1
P17	Piston Rod	1	P36	O-Ring	1
P18	O-Ring	1	P37	Screw	1
P19	Top Nut	1	P38	Cap Nut	1

## WARRANTY

TradeQuip products have been carefully tested and inspected before shipment and are guaranteed to be free from defective materials and workmanship for a period of 12 months from the date of purchase except where tools are hired out when the guarantee period is ninety days from the date of purchase.

Should this piece of equipment develop any fault, please return the complete tool to your nearest authorised warranty repair agent or contact TQB Brands Pty Ltd Warranty team – [warranty@tqbbrands.com.au](mailto:warranty@tqbbrands.com.au).

If upon inspection it is found that the fault occurring is due to defective materials or workmanship, repairs will be carried out free of charge. This guarantee does not apply to normal wear and tear, nor does it cover any damage caused by misuse, careless or unsafe handling, alterations, accident, or repairs attempted or made by any personnel other than the authorised TQB Brands Pty Ltd repair agent.

This guarantee applies in lieu of any other guarantee expressed or implied and variations of its terms are not authorised.

Your TQB Brands Pty Ltd guarantee is not effective unless you can produce upon request a dated receipt or invoice to verify your proof of purchase within the 12 month period.

### Consumer Guarantee

Our goods come with a guarantee that cannot be excluded under the Australian Consumer Law. You are entitled to a replacement or refund for a major failure and compensation for any other reasonably foreseeable loss or damage. You are also entitled to have the goods repaired or replaced if the goods fail to be of acceptable quality and the failure does not amount to a major failure.



All images and illustrations shown are for reference purposes only. All information, specifications and illustrations in this manual are based on the latest information available at the time of publication and are subject to change without notice. The information in this manual is periodically revised to ensure the latest information is included. Download the latest version of this manual and other related technical documentation from [www.tqbbrands.com.au](http://www.tqbbrands.com.au).