

Owners Manual

Product Code: 6006

**MADE FOR THE
TRADE**

TQ TRADEQUIP
the trusted brand in equipment

**SCISSOR LIFT
WORKSHOP TROLLEY**



Specifications:

- Safe Working Capacity: 500kg
- Maximum Height: 770mm
- Minimum Height: 295mm
- Table Size: 810(L) x 500(W)mm
- Wheel Diameter: 125mm
- Nett Weight: 58kg
- Carton: 970 x 550 x 320mm
- Gross Weight: 61kg

About the TradeQuip brand

The 'TradeQuip' brand of workshop equipment, is designed for use in a demanding workshop environment by professional users. With proven and trusted "Made for the Trade" reliability, 'TradeQuip' branded products offer the very best in performance for an affordable price. All backed by a 1year trade guarantee across 1,000+ distributors Australia wide.

TQ TRADEQUIP
the trusted brand in equipment

TQPRO
Trusted by various professionals

BORUM
INDUSTRIAL WORKSHOP EQUIPMENT

WARNING INFORMATION

IMPORTANT: READ ALL INSTRUCTIONS BEFORE USE



WARNING

The instructions and warnings contained in this manual should be read and understood before using or operating this equipment. Do not allow anyone to use or operate this equipment until they have read this manual and have developed a thorough understanding of how this equipment works. Failure to observe any of the instructions contained in the manual could result in severe personal injury to the user or bystanders, or cause damage to the equipment and property. Keep this manual in a convenient and safe place for future reference.

Whilst every effort has been made to ensure accuracy of information contained in this manual, the TQB Brands Pty Ltd policy of continuous improvement determines the right to make modifications without prior warning.

CONTENT

WARNING INFORMATION 2

CONTENT 2

STANDARD OPERATING PROCEDURE 3

ASSEMBLY, OPERATION, PREVENTITIVE MAINTENANCE 4

PARTS LIST 6

WARRANTY 7

STANDARD OPERATING PROCEDURE

DO NOT use this machine unless you have been trained and assessed to a competent level in its safe use and operation, and have been given permission to use this



DO NOT tilt the unit



Wear the correct PPE

PRE-OPERATIONAL SAFETY CHECKS

Save these instructions. For your safety, read, understand, and follow the information provided with and on this hydraulic scissor lift trolley before use.

- This Hydraulic Scissor Lift Trolley should be used for lifting and lowering only.
- No person should get any part of the body under a load that is supported by this Hydraulic Scissor Lift Trolley.
- Do not overload this hydraulic scissor lift trolley beyond its rated capacity.
- Overloading this Hydraulic Scissor Lift Trolley beyond its rated capacity can cause damage to or failure of the Hydraulic Scissor Lift Trolley.
- Use only on hard level surfaces. Use on other than hard level surfaces can result in Hydraulic Scissor Lift Trolley instability and wheel damage.
- Do not allow people to sit or ride on the Hydraulic Scissor Lift Trolley.
- Do not transport heavy loads in the raised position.
- Keep hands & feet clear of the Hydraulic Scissor Lift Trolley hinge mechanism & ground contact area when lowering the load.
- Ensure castor brakes are engaged when loading and unloading.
- When servicing, use only TradeQuip identical replacement parts. Use of any other parts will void the warranty.
- Use the right product for the job. There are certain applications for which the Hydraulic Scissor Lift Trolley was designed. Do not modify the Hydraulic Scissor Lift Trolley and do not use the Hydraulic Scissor Lift Trolley for a purpose for which it was not intended.
- Failure to comply with the above warnings may result in personal injury and/or property damage.

INTENDED USE

For lifting both heavy and light work pieces and workloads. Scissor Lift tables raise, position, and transport workloads and workpieces to minimise risk of injury.

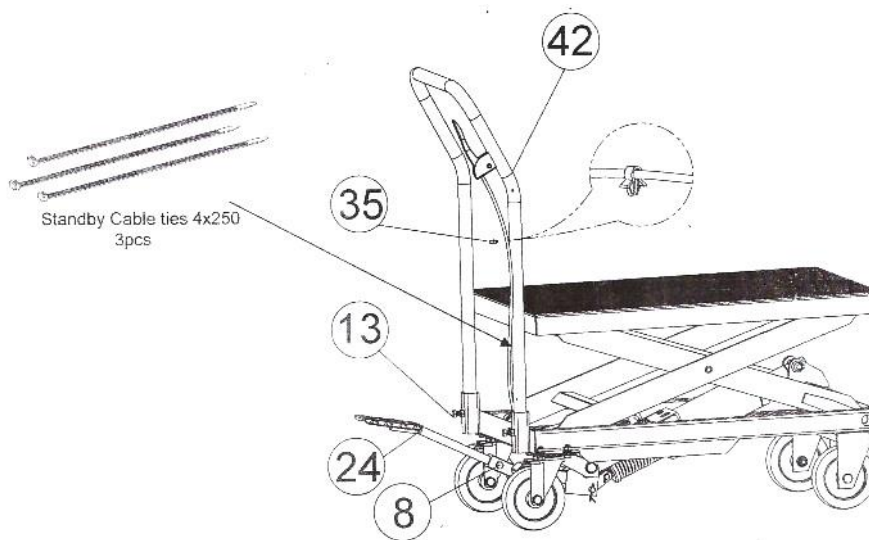
ASSEMBLY, OPERATION, PREVENTITIVE MAINTENANCE

1. FEATURES

This **TradeQuip** Hydraulic Scissor Lift Trolley is widely used as a scissor lift table to transport parts and materials around the workshop. This Hydraulic Scissor Lift Trolley can be manually pumped to the required height through its hydraulic foot pump mechanism. The foot pump raises and lowers the platform using a single scissor lift and hydraulic cylinder. In addition, the TradeQuip 6006 can be used as a convenient mobile work bench so you can work at different heights to reduce the risk of injury.

2. ASSEMBLY

1. The Hydraulic Scissor Lift Trolley has minimal assembly required. To complete the assembly attach the parts as per the instructions below.
2. Place the lifting pedal (24) into the hole in the end of the pedal pole and secure with M8x20 bolt (8).
3. Place the push handle (42) into the vertical tubes positioned on the pedal end of the base assembly.
4. Fix the wire with the wire fixing brackets (35) into the holes in the push handle (42) and the base assembly.
5. Use the cable ties to fix the release wire if necessary.
6. Check all fixings are secure.
7. Your Hydraulic Scissor Lift Trolley is now ready for use.

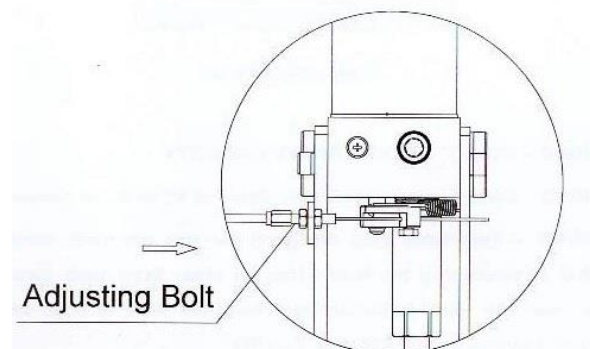


3. BEFORE USE

Do not use if broken, bent, cracked or damaged parts are noted. Any Hydraulic Scissor Lift Trolley that appears damaged in any way, or operates abnormally shall be removed from service immediately.

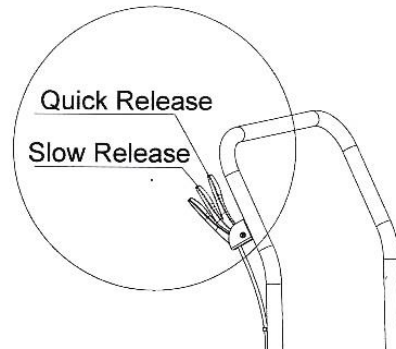
Adjusting Bolt:

1. Before delivery we have positioned the adjusting bolt.
2. Before operation ensure the adjusting bolt is in the best position for your use.



Quick Release Mechanism - Handle

1. When releasing oil ensure hands are clear from mechanism to avoid pinching of hand.
2. Control lifting speed with the quick release mechanism - handle. When lifting / lowering heavy goods use the appropriate speed for the load to avoid injury or damage.
3. Ensure your hands are clear from the release handle while loading/unloading goods to avoid sudden movement of the hydraulic table.



4. OPERATION

1. Verify that the product, load and application are compatible.
2. The hydraulic scissor lift table top can be raised by pumping the foot lever.
Note: you may need to purge any air in the hydraulic system by pumping up and down 3-5 times to release air from the hydraulic pump.
3. To lower the Hydraulic Scissor Lift Trolley, pull the release lever fully. This allows the table to lower in a slow, controllable manner.
4. Ensure castor wheel brakes are engaged prior to loading and unloading.

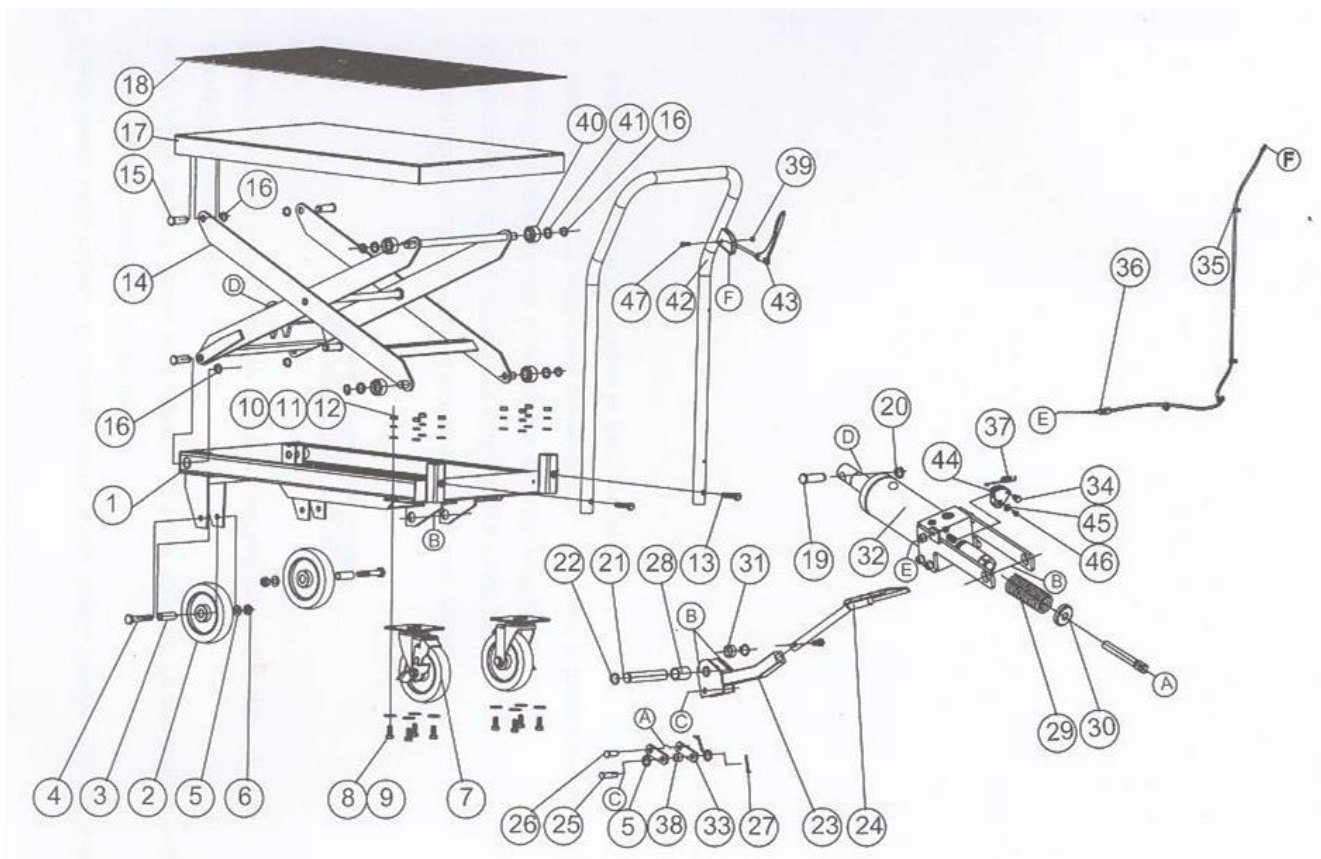
5. MAINTENANCE

Inspect the product for damage, wear, broken or missing parts and that all components function before each use. Remove from service immediately if damaged in any

1. Periodically check the tightness of the mounting bolts.
2. Remove all dirt or corrosion with a clean cloth.
3. Check the movement and wear of wheels.
4. Inspect for hydraulic oil leakage and add oil as needed.
5. Lubricate the wheels to maintain smooth rolling.
6. Lubricate each friction point monthly with multi-purpose grease.

PARTS LIST

Part #	Description	QTY	Part #	Description	QTY
1	Base Assembly	1	25	Handle Pin	1
2	Wheel	2	26	Connecting Rod Pin	1
3	Bushing	2	27	Cotter Pin 3	2
4	Hex Bolt M10x65	2	28	Long Bushing	1
5	Flat Washer 10	4	29	Pressure Spring	1
6	Nylon Lock Nut M10	2	30	Pressure Spring Cover	1
7	5" Universal Wheel + Brake	2	31	Short Bushing	1
8	Hex Bolt M8x20	9	32	Jack	1
9	Big Flat Washer 8	8	33	Connecting Rod	2
10	Flat Washer 8	8	34	Hex Bolt M5x10	1
11	Lock Washer 8	8	35	Wire Fix Bracket	4
12	Hex Nut M8	8	36	Release Wire	1
13	Hex Bolt M8x40	2	37	Tension Spring	1
14	Lift Frame	1	38	Small Washer	1
15	Hinge Pin	4	39	Nylon Lock Nut M5	1
16	Snap Ring 16	8	40	Small Wheel	4
17	Tabletop	1	41	Small Flat Washer	4
18	Rubber Pad	1	42	Push Handle	1
19	Hinge Pin of Pump	1	43	Release Handle	1
20	Snap Ring 16	1	44	Strut Adjusting Box	1
21	Long Axis	1	45	Big Flat Washer °5	1
22	Snap Ring 20	2	46	Screw M5x8	1
23	Lifting Pedal Base	1	47	Screw M5x20	1
24	Lifting Pedal	1			



WARRANTY

TradeQuip products have been carefully tested and inspected before shipment and are guaranteed to be free from defective materials and workmanship for a period of 12 months from the date of purchase except where tools are hired out when the guarantee period is ninety days from the date of purchase.

Should this piece of equipment develop any fault, please return the complete tool to your nearest authorised warranty repair agent or contact TQB Brands Pty Ltd Warranty team – warranty@tqbbrands.com.au.

If upon inspection it is found that the fault occurring is due to defective materials or workmanship, repairs will be carried out free of charge. This guarantee does not apply to normal wear and tear, nor does it cover any damage caused by misuse, careless or unsafe handling, alterations, accident, or repairs attempted or made by any personnel other than the authorised TQB Brands Pty Ltd repair agent.

This guarantee applies in lieu of any other guarantee expressed or implied and variations of its terms are not authorised.

Your TQB Brands Pty Ltd guarantee is not effective unless you can produce upon request a dated receipt or invoice to verify your proof of purchase within the 12 month period.

Consumer Guarantee

Our goods come with a guarantee that cannot be excluded under the Australian Consumer Law. You are entitled to a replacement or refund for a major failure and compensation for any other reasonably foreseeable loss or damage. You are also entitled to have the goods repaired or replaced if the goods fail to be of acceptable quality and the failure does not amount to a major failure.



All images and illustrations shown are for reference purposes only. All information, specifications and illustrations in this manual are based on the latest information available at the time of publication and are subject to change without notice. The information in this manual is periodically revised to ensure the latest information is included. Download the latest version of this manual and other related technical documentation from www.tqbbrands.com.au.