

Owners Manual

Product Code: 3008

**MADE FOR THE
TRADE**

TQ TRADEQUIP
the trusted brand in equipment

**MOBILE
BLASTING UNIT**



Specifications:

- Capacity: 37 Litre
- Working Pressure: 60-125psi
- Air Delivery: 400-600 Litres per Minute @ 125psi (dependent on nozzle size)
- Abrasive Use: 27-90kg @ 125psi per hour (dependent on nozzle size)
- Hose Length: 2400mm
- Hose OD: 24mm
- Hose ID: 12mm
- Tank Dimensions: 508(H) x 305(Ø)
- Nett Weight: 19kg
- Carton: 770 x 420 x 370mm
- Weight: 21kg

About the TradeQuip brand

The 'TradeQuip' brand of workshop equipment, is designed for use in a demanding workshop environment by professional users. With proven and trusted "Made for the Trade" reliability, 'TradeQuip' branded products offer the very best in performance for an affordable price. All backed by a 1 year trade guarantee across 1,000+ distributors Australia wide.

TQ TRADEQUIP
the trusted brand in equipment

TQPRO
Trusted by serious professionals

BORUM
INDUSTRIAL WORKSHOP EQUIPMENT

WARNING

IMPORTANT: READ ALL INSTRUCTIONS BEFORE USE



The instructions and warnings contained in this manual should be read and understood before using or operating this equipment. Do not allow anyone to use or operate this equipment until they have read this manual and have developed a thorough understanding of how this equipment works. Failure to observe any of the instructions contained in the manual could result in severe personal injury to the user or bystanders, or cause damage to the equipment and property. Keep this manual in a convenient and safe place for future reference.

Whilst every effort has been made to ensure accuracy of information contained in this manual, the TradeQuip policy of continuous improvement determines the right to make modifications without prior warning.

CONTENT

WARNING..... 2

CONTENT..... 2

STANDARD OPERATING PROCEDURE 3

ASSEMBLY, OPERATION & PREVENTATIVE MAINTENANCE 4

TROUBLESHOOTING..... 9

PARTS LIST SAFETY TRIGGER 10

PARTS LIST 11

WARRANTY 12

STANDARD OPERATING PROCEDURE

DO NOT use this machine unless you have been trained and assessed to a competent level in its safe use and operation, and have been given permission to use this



Safety glasses must be worn when operating this equipment



Long loose hair must be contained when operating this equipment



Safety footwear must be worn when operating this equipment



Close fitting/protective clothing must be worn when operating this equipment



Rings and jewellery must not be worn when operating this equipment

PRE-OPERATIONAL SAFETY CHECKS

- Any mobile sandblasting unit will produce a powerful flow of abrasive particles. To avoid personal injury and property damage, study this manual thoroughly before assembling, operating or servicing this mobile sandblasting unit.
- During operation, do not expose the hands or skin directly in the line of the blast nozzle.
- Ensure all components seal properly after assembly.
- Do not exceed the maximum operating pressure of the blasting equipment.
- Disconnect the sandblaster from the air supply before changing accessories or attempting to install, service, relocate or perform any maintenance.
- Check hoses and air lines for weak or worn condition before each use. Make sure all the connections are secure before use.
- Do not point the abrasive blaster gun at anyone or objects.
- Before operating this equipment, consider the availability and proximity of the required air supply.
- Always wear personal protective gear.
- Fire or Explosion Hazard! DO NOT USE a media blaster around combustible or flammable liquids, dusts, gases, oily rags, or other materials that can explode or burn quickly. Some abrasives create sparks when they hit metal. Abrasives similar to aluminium oxide may generate static electricity sparks which may cause fires or explosions in an unsafe environment.

INTENDED USE

Blasting work using recommended abrasive media and/or glass beads to clean and abrade a surface, typically metal, of any rust, paint or other unwanted surface materials.

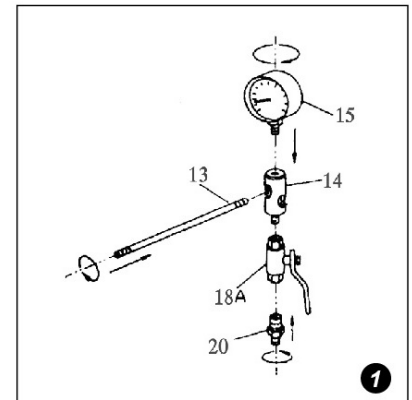
ASSEMBLY, OPERATION & PREVENTATIVE MAINTENANCE

1. FEATURES

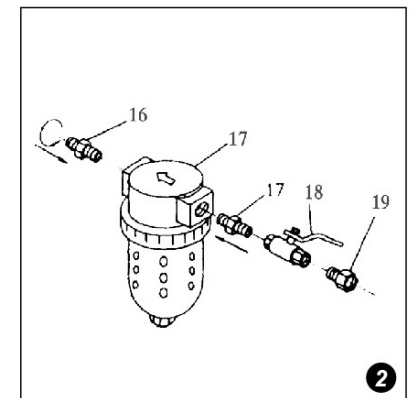
The TradeQuip mobile sandblasting unit is supplied with 2.4m rubber hose, four ceramic nozzles and in-line water trap for moisture-free grit blasting. Also includes bayonet air line coupling and air flow regulator. Accepts a variety of grits up to 80microns and is suitable for stripping rust and paint from wheels, chassis, panels and other corroded/painted surfaces.

2. ASSEMBLY

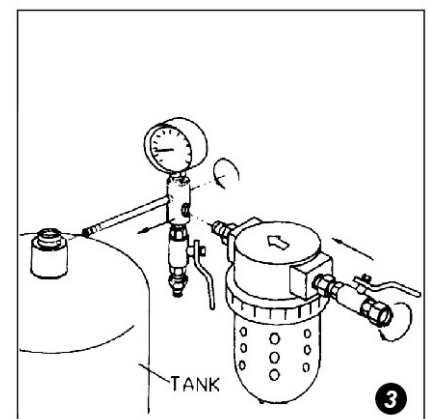
- Step 1, assembling the intake manifold (14). First attach the pressure gauge (15) to the top of the intake manifold, turning the gauge so that it can be seen across the top of the tank. Next, attach the throttling valve (18A) to the bottom of the manifold. Attach the nipple connector (20), to the throttling valve. Attach the joint pipe (13) to the manifold.



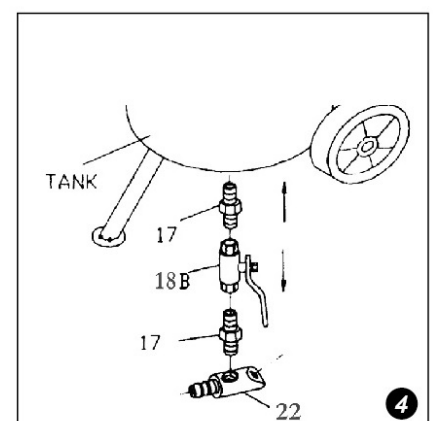
- Step 2, to assemble the water trap filter (17). Two nipple connectors (16) are screwed into each side of the filter. On one side, attach the air supply valve (18) to the nipple connector (16). Attach the male/female connector (19) to the other side of the air supply valve. When ready to operate the sandblaster, the air hose from the compressor will fasten to the male/female connector (19).



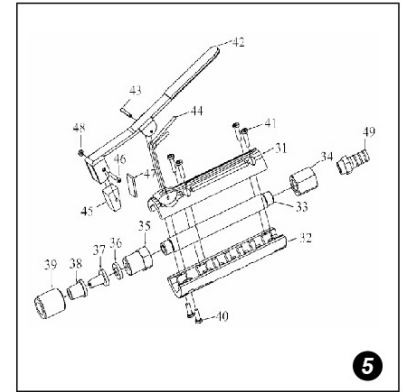
- Step 3, place the tank (01) on a table with the four clips up. Screw the water trap filter (17) and its parts into the opening at the side of the intake manifold. Then screw the open end of the joint pipe (13) with intake manifold (14) and pressure gauge (15) attached into the threaded opening on the side of the filler pipe on top of the tank. Be sure that the manifold and gauge are vertical.



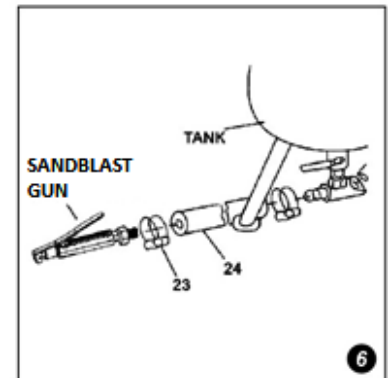
- Step 4, assembly of the sand outlet valve into the opening at the bottom of the tank. Attach in order; nipple connector (16), sand metering valve (18B), nipple connector (16), and sand outlet pipe (22).



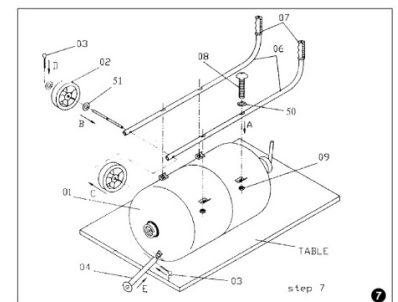
5. Step 5, assembly of nozzle shut off valve (42). In this assembly process select one of the four nozzles (37/38). This is not a permanent selection, as you can change nozzles according to the job being done. Screw the adaptor (49) into the nozzle shut off valve (42). Screw the last nipple connector (16) into the other side of the valve. Screw the gasket (36) into the nipple connector then add nozzle (37/38) and the nozzle cap-nut (39).



6. Step 6, to connect the sand metering valve assembly (step 4) and the nozzle shut off assembly (step 5) slide the two hose clamps (23) over each end of the sand hose (24). Press one end of the hose over the nipple on the sand outlet pipe (22) and the other end over the adaptor (49). Both hose ends should be firmly seated on the nipples. Slide the hose clamps along the hose to each nipple and tighten the clamps firmly. They have to resist the force of 65-125psi.



7. Step 7, fasten the two handlebars (06) to the tank using four pan screws (08) four washers (50) and four hex nuts (09). Note: keep the handle curve ends upward.



8. Step 8, locate the axle (05) and slide it through the openings in the sides of the handlebars (06). Place one wheel (02) at each end of the axle and fasten them into place with cotter pins (03) and washer (51).
9. Step 9, insert the fixed foot (04) onto the fitting on the bottom of the tank near the edge. Use the last cotter pin (03) to hold the foot to the tank.
10. Step 10, before operation go back over each connection, double checking to ensure that all are tight and properly sealed.

3. BEFORE USE

Conduct a thorough visual inspection checking for leaks and any abnormal conditions, such as cracked welds, leaks, and damaged, loose, or missing parts.

To protect your air compressor from damage it may receive from sandblasting

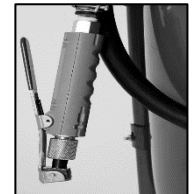
- Keep the air compressor in a separate area, or
- Always position the air compressor up-wind of the sandblasting area.

Setting the Air Flow

1. Ideal setting up of the 3008.3032T,3060 Blast kit begins with the regulator set to 90psi input and the media valve at the base of the blaster tank fully closed.



2. Hold the gun trigger open fully and check to see if there is a steady stream of air with no loss of pressure at the gauge.



3. Gradually increase the air pressure via the regulator adjustor knob while holding the trigger open, if your compressor has a free air delivery rating above that of the blasters specifications the gauge reading should rise with the adjustment.



Ideal pressure will be dependent on the ability of the air supply to remain constant and without pressure drop at the gauge, as there are many variables including media type and nozzle size. However, in most cases this pressure generally around 90 to 110 PSI. Keep note that the blaster will have a peak operating pressure rating and should not be operated above this rating.

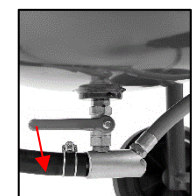
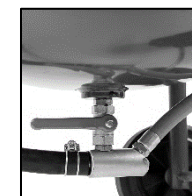
SETTING THE AIR/MEDIA FLOW

Once a solid uninterrupted air flow is achieved, we need to then open the media flow valve. Ideally a sample of the item to be blasted should be on hand to test while the adjustment process is done.

TUNING YOUR BLASTER

The media valve (abrasive media valve) at the bottom of the tank determines how much abrasive mixes in with the air going to the nozzle.

4. Open the media metering valve to approximately 1/8th of its total swing and test the blast against your test sample.



You may need to adjust a further 1/8th if a quicker cutting degree is required but keep in mind that adding media into the air stream will slow the velocity and effectiveness of the blast stream and raising the air pressure a further 10psi may be required.

Please note that a fully open media metering valve can cause media to stall in the hose behind the gun assembly due to the added weight in the flow stream and dramatic slowing of the stream velocity. Should this occur, close the media valve, and repeat the settings instructions 1 to 4.

Be aware of abrasive clogging the system. Depressurise if necessary and replace the abrasive media with drier or cleaner abrasive media and repeat steps 1 to 4.

4. OPERATION

Prior to each use always conduct a visual inspection checking for leaks and any abnormal conditions, such as cracked welds, leaks, and damaged, loose, or missing parts.

Abrasive Selection:

The type of media you choose will greatly influence the amount of time needed to clean a given surface area. Sandblasting materials include silicon carbide, alumina, bank sand and beach sand. However, bank and beach sand is not ideal, even if washed it will still contain shell, coral and organic materials. These absorb moisture much more readily than the other materials. As a result, the moisture in bank and beach sand frequently cause clogging of the sand metering valve.

If you decide to re-use sand or media, remember it does wear out. The sharp edges become rounder, and are less effective. It's at the point you should replace the batch of abrasive you are using.

Loading Abrasive:

- Check the abrasive is dry and won't clog the meter valve (18B), sand outlet pipe (22), hose (24) or other components.
- Always wear personal protective gear.
- Turn the air supply valve (18) to the off (horizontal) position.
- Open the nozzle shut off valve (42) (vertical) position.
- Ensure the pressure gauge (15) reads zero ("0 psi") pressure.
- Remove the filler cap (12) from the tip of the tank.
- Insert the funnel (29) and pour the abrasive into the funnel. Be sure to load enough into the tank to do the job at hand. If it is a big job, fill the tank only $\frac{3}{4}$ full and reload as needed to finish the work.
- Note: if the humidity is 90-100% the water trap (17) won't be able to trap all of the moisture in a $\frac{3}{4}$ full tank. Reduce the amount of abrasive, load more frequently and empty the water trap frequently. This will reduce the possibility of clogging the bottom of the tank or line.
- With the correct amount of abrasive in the tank close the filler cap (12).
- Close the nozzle shut-off valve (42) and open the air supply valve (18).
- Check for air leaks at the filler cap as you begin to pressurise the tank from the compressor.

Correct Air Pressure:

Pressure should not exceed 125psi. If pressure exceeds 125psi the safety relief valve (10) is designed to release the excess pressure. If this does not happen stop all work immediately and use the air compressor to reduce the excess pressure. Do not investigate the sandblaster's pressure until the pressure gauge (15) reads zero.

To Setup for Abrasive Blasting

Note: Start with all valves in closed position.

- a Point the sandblasting gun to a safe direction away from people, pets or anything around you that may be damaged by abrasive spray.
- b Press and hold sandblasting gun until air starts flowing through the trigger
- c While pressing and holding the sandblasting gun, slowly open the abrasive control valve until abrasive material begins to flow out of the sandblasting gun
- d Adjust the abrasive valve to an appropriate position (about 45°) when desired amount of abrasive material is flowing through the trigger nozzle

To Begin Blasting

- a Choose a larger nozzle for a broader spray pattern. Choose a smaller nozzle for more focussed abrasive blasting
- b Adjust abrasive flow with the abrasive control valve
- c Be aware of abrasive clogging the system. Depressurise if necessary and replace the abrasive media with drier or cleaner abrasive media

To Stop Blasting

- a Whilst continuing to press and hold the sandblasting gun, turn the abrasive control valve to the closed position
- b When noticing only air is coming through the gun, stop the air flow by releasing the gun

To Release Pressure from Tank

- a When finished blasting, point the sandblasting gun in a safe direction away from people, pets or anything around you that may be damaged by direct or indirect spray
- b Switch off power to the compressor
- c Turn the abrasive control valve to the closed position whilst pressing and holding the sandblasting gun to expel remaining abrasive material from abrasive hose
- d Release air pressure via the safety relief valve. Ensure gauge reads "0 psi"
- e Disconnect the air supply hose from the sandblasting unit

Nozzle and Rubber Nozzle Replacement

- a Ensure air supply is disconnected from sandblaster
- b Whilst holding the sandblasting gun against spring pressure in the open position, unthread the knurled nozzle retaining collar of the sandblasting gun and remove the retaining collar, nozzle and seal
- c Insert the replacement nozzle into the retaining collar followed by the rubber seal, then thread the knurled nozzle retaining collar onto the sandblasting gun and tighten securely
- d Choose a larger nozzle for a broader spray pattern. Choose a smaller nozzle for a smaller more focussed abrasive blasting

Health Considerations:

- Protect yourself and those around you from 'overspray'. Remember that your mobile sand blaster is shooting powerful spray of abrasive material
- Do not point it at yourself or anyone around you
- Always wear personal protective equipment
- Wear a filter or mask over your mouth when operating this unit. You will create a cloud of abrasive material and debris which is dangerous to inhale
- Remove, cover, and/or protect anything around you that might be damaged from direct or indirect contact with the abrasive spray or particles.

5. STORAGE

This mobile sandblasting unit should always be stored in a dry indoor location on a level surface.

6. MAINTENANCE

Before opening the tank release the air pressure on the sand tank;

- Turn off the air supply valve (18);
- Open the nozzle valve (42) to release pressure in the line;
- Ensure the tank pressure gauge (16) reads zero;
- Open and empty the tank
- Check for worn abrasive hose and fittings. The abrasive control valve, manifold and all parts after the abrasive is ejected from the tank are subject to rapid wear due to the flow of abrasive media. Check for leaks, blistering, bulging or thinness of the hose. Replace all parts which appear worn immediately.

7. SERVICE & REPAIR

Any mobile sandblasting unit found damaged in any way, or found to be worn or operates abnormally should be removed from service until repaired by an authorised service agent. Owners and / or operators should be aware that repair of this product may require specialised equipment and knowledge. Only authorised parts, labels, decals shall be used on this equipment. Annual inspection of the mobile sandblasting unit is recommended and can be made by an authorised repair facility to ensure that your equipment is in optimum condition and that the equipment has the correct decals and safety labels specified by the manufacturer.

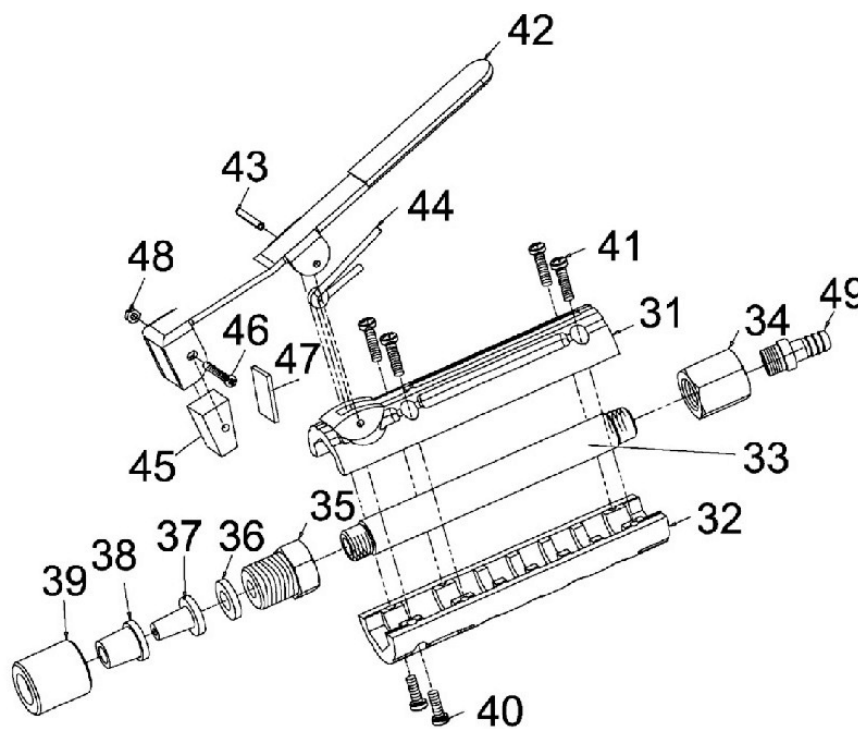
TROUBLESHOOTING

PROBLEM	POSSIBLE CAUSE	ACTION
Surging of Blast Flow	<ul style="list-style-type: none"> • Air pressure too low • Too much media 	<ul style="list-style-type: none"> • See "lack of air pressure" • Adjust abrasive control valve
Excessive Media Consumption	<ul style="list-style-type: none"> • Abrasive control valve open too far • Air pressure too low 	<ul style="list-style-type: none"> • Close slightly • Check pressure gauge
Clogging and Plugging of Blast Flow	<ul style="list-style-type: none"> • Debris in media • Media size too large • Nozzle plugs • Wet media 	<ul style="list-style-type: none"> • Purge and screen • Use smaller grit size • Use large nozzle or adjust abrasive control valve • Dry media, drain water from air
Moisture in Abrasive Media	<ul style="list-style-type: none"> • Wet media • Water in air • Water in tank 	<ul style="list-style-type: none"> • Change or use dry media • Drain water from air lines • Empty, dry out and refill
Humid weather	<ul style="list-style-type: none"> • Moderate humidity • High humidity 	<ul style="list-style-type: none"> • Keep media as dry as possible • Use drier or moisture separator • Avoid that period of use if possible
Overtaxed Compressor	<ul style="list-style-type: none"> • Compressor too small • Nozzle size too large • Too many leaks in air lines • Holes in abrasive hose • Air filter on compressor plugged 	<ul style="list-style-type: none"> • Restrict time used • Use smaller size • Seal and tighten air lines • Replace hose • Clean filter
Lack of Air Pressure	<ul style="list-style-type: none"> • Compressor too small • Supply valves not on full position • Nozzle size too large • Leaks in air lines • Holes in air lines • Air filter on compressor plugged • Urethane washer dirty or worn 	<ul style="list-style-type: none"> • Use larger compressor • Open valves • Use smaller size nozzle • Seal and tighten air lines • Replace hose • Clean filter • Clean or replace washer
Lack of Abrasive Flow	<ul style="list-style-type: none"> • Blaster tank empty • Moisture in media • Not enough air pressure • Abrasive hose kinked • Debris in media 	<ul style="list-style-type: none"> • Fill tank • Dry media • Check system • Straighten • Clean or screen media

PARTS LIST SAFETY TRIGGER

Part #	Description	Qty
31	Body Upper	1
32	Body Lower	1
33	Metal Pipe	1
34	Intake Connector	1
35	Adaptor	1
36	Gasket	1
37	Ceramic Nozzle	4
38	Rubber Adaptor	4
39	Nozzle Cap Nut	1
40	Screw ST 4.2x16	4

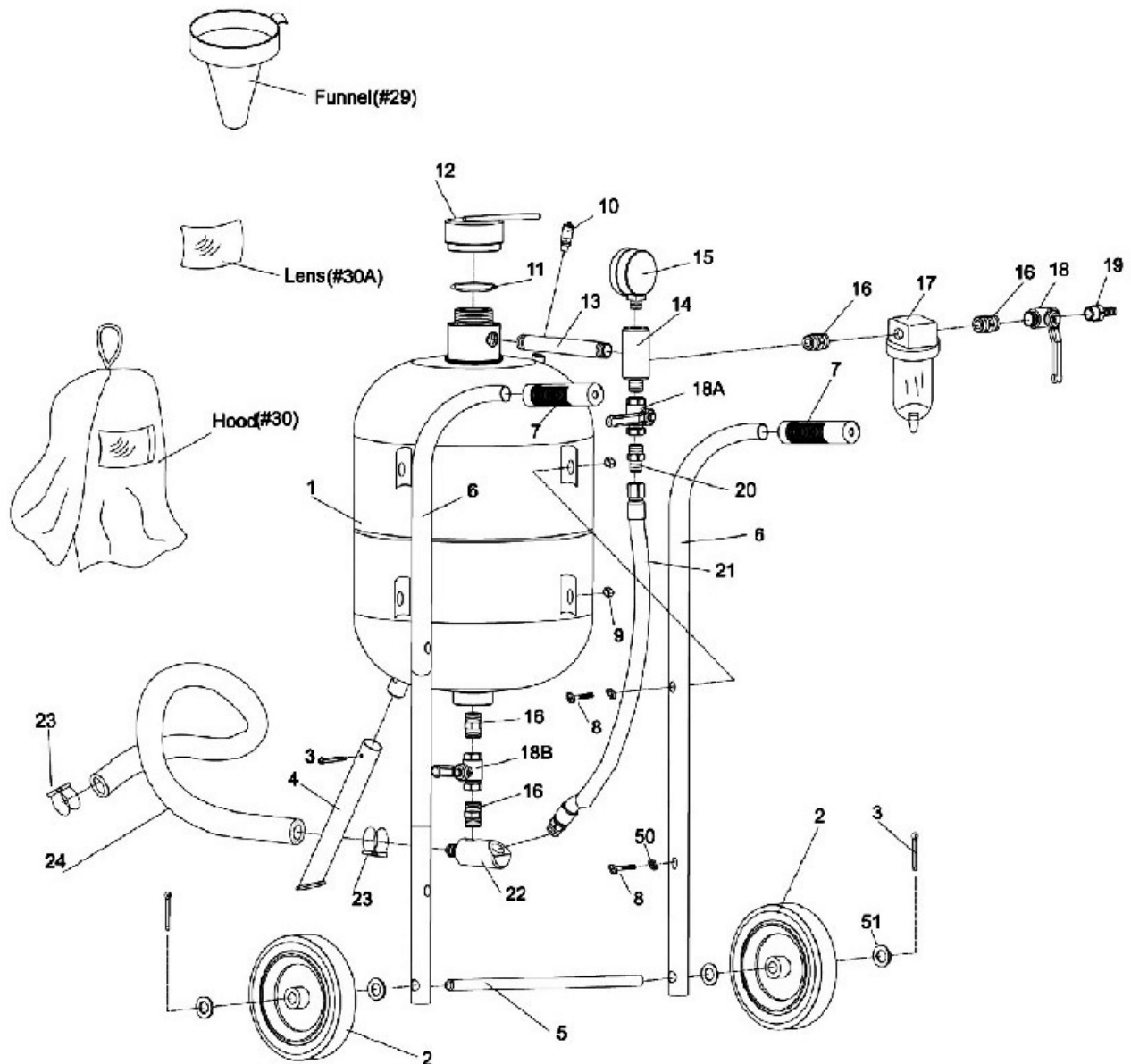
Part#	Description	Qty
41	Screw ST 4.2x12	2
42	On/Off Control Lever	1
43	Spring Pin	1
44	Spring	1
45	Rubber Pad	1
46	Screw M3x25	1
47	Hard Alloy Pad	1
48	Nut M3	1
49	Hose Adaptor	1



PARTS LIST

Part #	Description	Qty
1	Tank	1
2	Wheels	2
3	Cotter Pins	3
4	Front Foot	1
5	Wheel Axle	1
6	Handle Bars	2
7	Handle Grips	2
8	Pan Screws	4
9	Hex Nuts	4
10	Safety Valve	1
11	O-Ring	1
12	Tank Filler Cap	1
13	Joint Pipe	1
14	Intake Manifold	1
15	Pressure Gauge	1
16	3/8" Nipple Connectors	5

Part#	Description	Qty
17	Water Trap	1
18	3/8" Brass Air Supply Valve	1
18A	3/8" Brass Throttling Valve	1
18B	3/8" Steel Abrasive	1
	Control Valve	1
19	Inlet Connector	1
20	Nipple Connector	1
21	Air Hose	1
22	Abrasive Outlet Manifold	2
23	Hose Clamps	1
24	Abrasive Hose	1
29	Funnel	1
30	Hood	1
30A	Lens for Hood	4
50	Washer	4
51	Wheel Washer	



WARRANTY

TradeQuip products have been carefully tested and inspected before shipment and are guaranteed to be free from defective materials and workmanship for a period of 12 months from the date of purchase except where tools are hired out when the guarantee period is ninety days from the date of purchase.

Should the machine develop any fault, please return the complete tool to your nearest authorised warranty repair agent or contact TQB Brands Pty Ltd Warranty team – warranty@tqbbrands.com.au.

If upon inspection it is found that the fault occurring is due to defective materials or workmanship, repairs will be carried out free of charge. This guarantee does not apply to normal wear and tear, nor does it cover any damage caused by misuse, careless or unsafe handling, alterations, accident, or repairs attempted or made by any personnel other than the authorised TQB Brands Pty Ltd repair agent.

This guarantee applies in lieu of any other guarantee expressed or implied and variations of its terms are not authorised.

Your TQB Brands Pty Ltd guarantee is not effective unless you can produce upon request a dated receipt or invoice to verify your proof of purchase within the 12 month period.

Consumer Guarantee

Our goods come with a guarantee that cannot be excluded under the Australian Consumer Law. You are entitled to a replacement or refund for a major failure and compensation for any other reasonably foreseeable loss or damage. You are also entitled to have the goods repaired or replaced if the goods fail to be of acceptable quality and the failure does not amount to a major failure.



All images and illustrations shown are for reference purposes only. All information, specifications and illustrations in this manual are based on the latest information available at the time of publication and are subject to change without notice. The information in this manual is periodically revised to ensure the latest information is included. Download the latest version of this manual and other related technical documentation from www.tqbbrands.com.au.