

Owners Manual

Product Code: 2102T

**MADE FOR THE
TRADE**

TQ TRADEQUIP
the trusted brand in equipment

**MOTORCYCLE
LIFTER**



Specifications:

- Safe Working Capacity: 360kgs
- Min Height: 205mm
- Max Height: 780mm
- Width: 490mm
- Length: 1345mm

About the *TradeQuip* brand

The '**TradeQuip**' brand of workshop equipment, is designed for use in a demanding workshop environment by professional users. With proven and trusted "**Made for the Trade**" reliability, '**TradeQuip**' branded products offer the very best in performance for an affordable price. All backed by a 1year trade guarantee across 1,000+ distributors Australia wide.

TQ TRADEQUIP
the trusted brand in equipment

TQ PRO
Trusted by serious professionals

BORUM
INDUSTRIAL WORKSHOP EQUIPMENT

WARNING**IMPORTANT: READ ALL INSTRUCTIONS BEFORE USE****WARNING**

The instructions and warnings contained in this manual should be read and understood before using or operating this equipment. Do not allow anyone to use or operate this equipment until they have read this manual and have developed a thorough understanding of how this equipment works. Failure to observe any of the instructions contained in the manual could result in severe personal injury to the user or bystanders, or cause damage to the equipment and property. Keep this manual in a convenient and safe place for future reference.

Whilst every effort has been made to ensure accuracy of information contained in this manual, the TQB Brands Pty Ltd policy of continuous improvement determines the right to make modifications without prior warning.

CONTENT

WARNING.....	2
CONTENT.....	2
STANDARD OPERATING PROCEDURE	3
ASSEMBLY, OPERATION, PREVENTITIVE MAINTENANCE	4
PARTS LIST & DIAGRAM	6
WARRANTY	7

STANDARD OPERATING PROCEDURE

DO NOT use this machine unless you have been trained and assessed to a competent level in its safe use and operation, and have been given permission to use this



Safety glasses must be worn when operating this equipment



Long loose hair must be contained when operating this equipment



Safety footwear must be worn when operating this equipment



Close fitting/protective clothing must be worn when operating this equipment



Rings and jewellery must not be worn when operating this equipment

PRE-OPERATIONAL SAFETY CHECKS

- Keep motorcycle lifter in good working order, follow lubricating and changing accessories instructions
- Do not exceed the safe working capacity of 360kg.
- Do not make any modifications to the lift. Doing so may result in injury.
- Use this lift for lifting purpose only.
- Keep work area clean, free from hazards and well lit.
- Only use the motorcycle lifter for its intended purpose.
- Wear the correct PPE clothing.
- Do not overreach, keep proper footing and balance at all times while operating the motorcycle lifter
- Use only on hard level surfaces capable of sustaining the load.
- Ensure that risk assessment has been read.
- Faulty equipment must not be used. Immediately report suspect equipment.

OPERATIONAL SAFETY CHECKS

- Before lifting motorcycle ensure the weight of the motorcycle has been fully supported by the lift platform
- Do not put the rear wheel of the motorcycle on the leading plate.
- Do not use the leading plate to support the weight of the motorcycle when lifting. The leading plate is only used to assist with wheeling the motorcycle onto the platform when the lift is at its lowest level
- Ensure the motorcycle is adequately secured to the lifting platform with appropriate straps
- Ensure the locking bar is engaged once the platform has been raised to the correct working height to prevent accidental lowering
- Before lowering the motorcycle lift ensure there are no obstructions underneath and all persons are standing clear
- Do not attempt to transport load on the lift. The lift must only be used in the static position.

INTENDED USE

Lifts motorcycles, ATV's, ride-on mowers and snowmobiles for servicing, repair work and new vehicle preparation.

ASSEMBLY, OPERATION, PREVENTITIVE MAINTENANCE

1. FEATURES & MODELS

This TradeQuip Hydraulic Motorcycle Lifter has a safe working capacity of up to 360 kg. The hydraulic foot pump raises and lowers ATV/Bike while the automatic safety lock makes sure you are safe and secure the entire time. The built-in swivel castors provide convenient mobility and stability. The TradeQuip Hydraulic Motorcycle Lifter is complete with an extra-large removable loading ramp which is also suitable for motorcycles with kickstands. The lifters robust and versatile construction, includes in a front wheel vice and 2 hook mounts for securing the load.

2. ASSEMBLY

Unpacking: after removing the packing material, make sure the product is in perfect condition and that there are no visible damaged parts.

Contents:	Main Assembly Locking Bar	Leading Plate Vice	Bolts, Washers, Nuts, Cotter Pins
-----------	------------------------------	-----------------------	-----------------------------------

1. Attach leading plate (02 to end of platform (01)
2. Fit front wheel vice assembly (06,07,10) to the front platform (01) using bolts (09), washers (13) and nuts (14)
3. Fit the baffle plate (08) using bolts (09), washers (13) and nuts (14)

3. BEFORE USE

Prior to each use conduct a visual inspection checking for abnormal conditions, such as cracked welds, leaks, and damaged, loose, or missing parts.

Bleeding System

1. Run the pump for 1 hour to allow the oil to settle before bleeding the system. **Note:** Failure to allow sufficient time for oil to settle could result in air remaining in the oil. In this event, the pump will not bleed completely requiring a second bleed of the system.
2. Bleed the hydraulic circuit to eliminate any air in the system by fully pressing the release foot pedal (43) and pumping the lift foot pedal (44) 15 to 20 times.
3. Test the lift, unladen, by raising the lift to full height and then lowering. Depress the release foot pedal (43) slowly to control the rate of descent.

4. OPERATION

1. Position the lift in a suitable area on a surface that is solid and level, preferably concrete.
2. Wheel the motorcycle up the leading plate and onto the platform.



The motorcycle must be fully supported by the lift platform (01) before lifting. **Do not** put the rear wheel of the motorcycle on the leading plate and **do not** use the leading plate to support the weight of the motorcycle when lifting.



The leading plate (02) is only used to help you to wheel the motorcycle onto the platform when the lift is at its lowest position.

3. Clamp front wheel in vice to prevent any movement of the motorcycle.
4. The Vice has a choice of mounting holes to cater for various size motorcycles.
5. Securely strap the motorcycle to the platform.
6. Raise the lift by pumping the lift foot pedal (44).
7. When the platform has been raised to the desired working height, pass the locking bar (18) through the holes in the underside of the main platform so that the lift cannot be inadvertently lowered.
8. When work is completed, check under the lift to ensure that there are no obstructions and that it is safe to lower the unit.
9. Remove the locking bar and then SLOWLY press the release foot pedal (43) to GENTLY lower the lift.
10. The speed of lowering is controlled by the release valve. The more the valve is opened the more rapidly the lift descends. Ensure the descent is slow and controlled.
11. When the lift is fully lowered, unstrap the motorcycle, open the vice jaws and remove the cycle from the lift.

5. INSPECTION

- Prior to each use conduct a visual inspection checking for abnormal conditions, such as cracked welds, leaks, and damaged, loose, or missing parts.
- The motorcycle lift shall always be maintained in accordance with the maintenance instructions. No alterations or modifications shall be made to this motorcycle lift.
- Inspections shall be performed in accordance with this owner's manual.
- The motorcycle lift must be inspected immediately if it is believed to have been subjected to abnormal load or shock.
- Owners and /or operators should be aware that repair of this product may require specialised equipment and knowledge (refer to maintenance section).

6. STORAGE

When not in use, the lift must be stowed in the lowest position in a dry location to minimize ram and piston corrosion.

7. MAINTENANCE

- Keep the lift clean and wipe off any oil or grease. Lubricate all moving parts.
- Periodically check the ram and piston for signs of corrosion. Clean the exposed areas with a clean oiled cloth.
- Before each use check all parts. If any part of the lift is damaged or suspect, remove the lift from service and take necessary action to repair.
- Check the hydraulic oil level. If it is not adequate, remove the rubber plug on the pump and add hydraulic oil if necessary.



DO NOT use brake fluid or any other improper fluid. Only good quality hydraulic jack oil can be used.

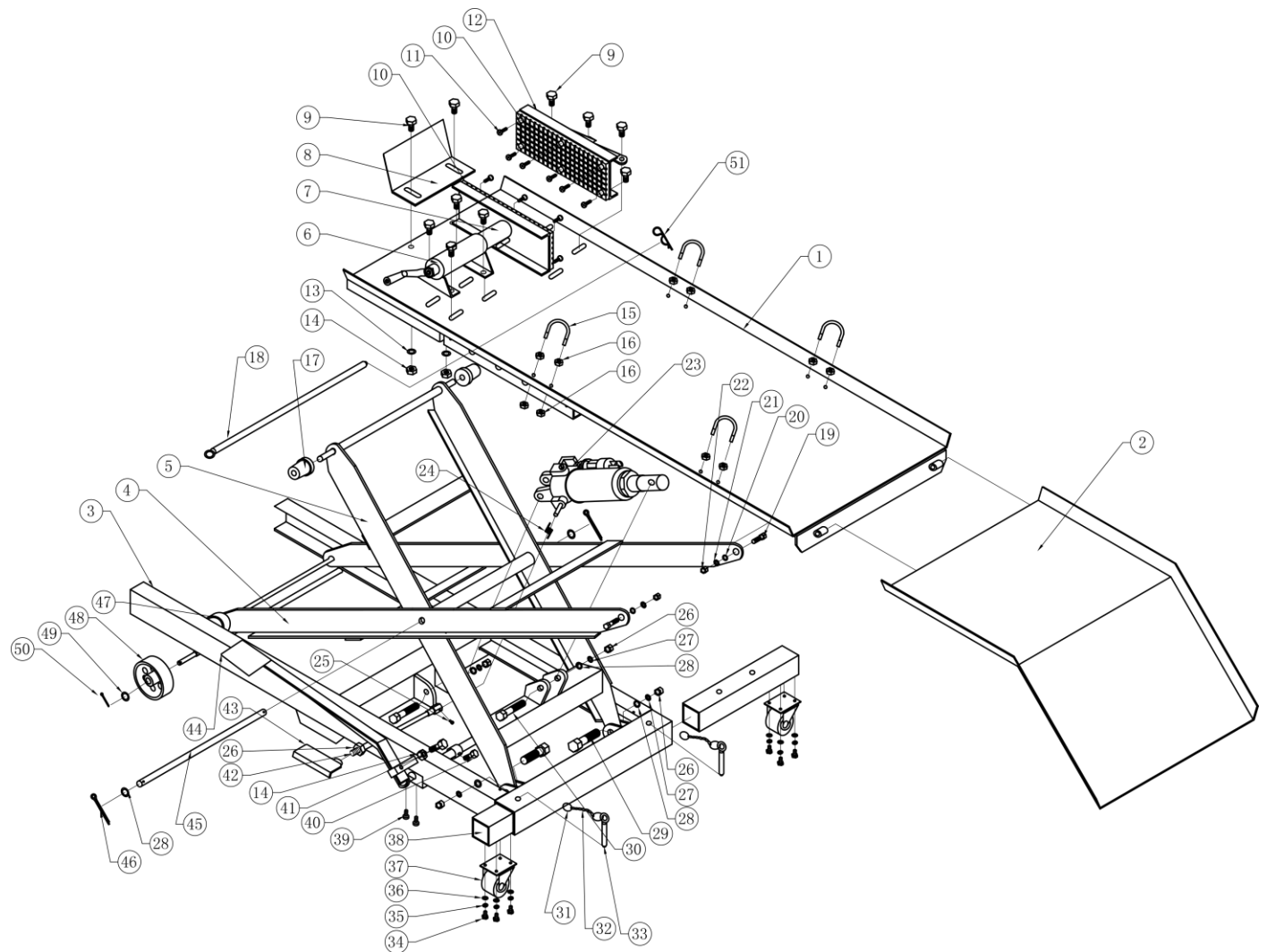
- When lift efficiency drops, bleed away air from the hydraulic system as described in 3.2.
- Only use replacement parts that are approved by the manufacturer.
- Regularly clean all surfaces and maintain all labels and warnings.

8. SERVICE & REPAIR

Any Motorcycle lifter found damaged in any way, or found to be worn or operates abnormally should be removed from service until repaired by an authorised service agent. Owners and / or operators should be aware that repair of this product may require specialised equipment and knowledge. Only authorised parts, labels and decals shall be used on this equipment. Annual inspection of the Hydraulic workshop press is recommended and can be made by an authorised repair facility to ensure that your equipment is in optimum condition and that the equipment has the correct decals and safety labels specified by the manufacturer

PARTS LIST & DIAGRAM

No:	Description	Q'ty	No:	Description	Q'ty	No:	Description	Q'ty
1	Platform	1	18	Locking Bar	1	35	Lock Washer	8
2	Leading Plate	1	19	Bolt	2	36	Flat Washer	8
3	Frame Assembly	1	20	Flat Washer	2	37	Castor	2
4	Outside Lifting Arm	1	21	Lock Washer	2	38	Square Tube	2
5	Inside Lifting Arm	1	22	Nut	2	39	Screw	2
6	Fixed Part	1	23	Pump	1	40	Bolt	1
7	Movable Tube Assembly	1	24	Spring	1	41	Bolt	1
8	Baffle Plate	1	25	Screw	1	42	Release Link Assembly	1
9	Bolt	10	26	Nut	5	43	Release Pedal Plate	1
10	Rubber Pad	2	27	Lock Washer	4	44	Foot Pedal	1
11	Screw	12	28	Flat Washer	6	45	Pin	1
12	Fixed Frame	1	29	Bolt	2	46	Cotter Pin	2
13	Flat Washer	10	30	Bolt	2	47	Lower Roller	2
14	Nut	11	31	Key Ring	4	48	Front Wheel	2
15	U Bolt	4	32	Chain	2	49	Washer	2
16	Nut	16	33	Pin	2	50	Cotter Pin	2
17	Upper Roller	2	34	Bolt	8	51	R-Pin	1



WARRANTY

TradeQuip products have been carefully tested and inspected before shipment and are guaranteed to be free from defective materials and workmanship for a period of 12 months from the date of purchase except where tools are hired out when the guarantee period is ninety days from the date of purchase.

Should this piece of equipment develop any fault, please return the complete tool to your nearest authorised warranty repair agent or contact TQB Brands Pty Ltd Warranty team – warranty@tqbbrands.com.au.

If upon inspection it is found that the fault occurring is due to defective materials or workmanship, repairs will be carried out free of charge. This guarantee does not apply to normal wear and tear, nor does it cover any damage caused by misuse, careless or unsafe handling, alterations, accident, or repairs attempted or made by any personnel other than the authorised TQB Brands Pty Ltd repair agent.

This guarantee applies in lieu of any other guarantee expressed or implied and variations of its terms are not authorised.

Your TQB Brands Pty Ltd guarantee is not effective unless you can produce upon request a dated receipt or invoice to verify your proof of purchase within the 12 month period.

Consumer Guarantee

Our goods come with a guarantee that cannot be excluded under the Australian Consumer Law. You are entitled to a replacement or refund for a major failure and compensation for any other reasonably foreseeable loss or damage. You are also entitled to have the goods repaired or replaced if the goods fail to be of acceptable quality and the failure does not amount to a major failure.



All images and illustrations shown are for reference purposes only. All information, specifications and illustrations in this manual are based on the latest information available at the time of publication and are subject to change without notice. The information in this manual is periodically revised to ensure the latest information is included. Download the latest version of this manual and other related technical documentation from www.tqbbrands.com.au