

Owners Manual

Product Code: 1054T-R

MADE FOR THE
TRADE

TQ TRADEQUIP
the trusted brand in equipment

VEHICLE POSITION RACK

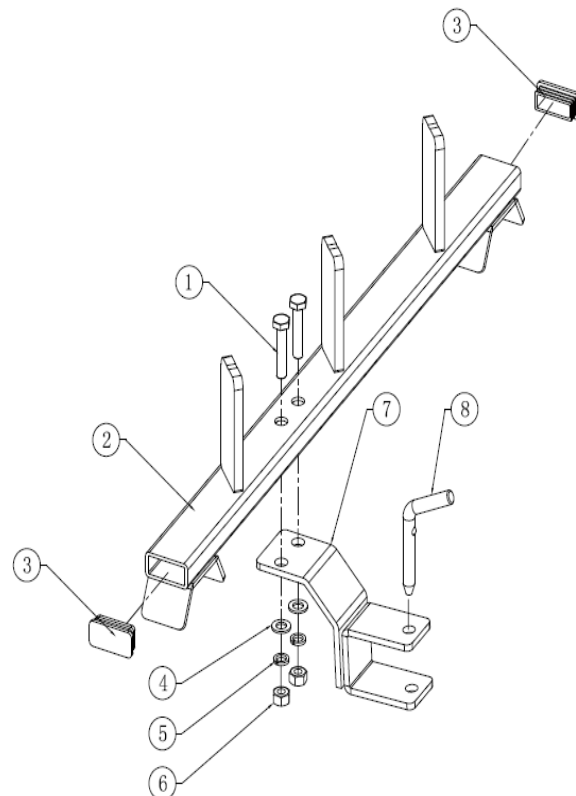
WARNING!

METHODS TO AVOID HAZARDOUS SITUATIONS FOR WHEEL POSITION STAND

- Read, study, understand and follow all instructions before operating this device.
- Inspect the wheel position stand before each use. Do not use if damaged, altered, modified, in poor condition, or unstable due to loose or missing hardware or parts. Make corrections before using.
- Use only on hard, level, dry concrete surface free from expansion joints and all obstructions.
- Use this wheel position stand for its intended purpose of storing and transporting up to three wheel positioning jacks only.
- Do not use (or modify) this product for any other purpose than that for which it was designed without consulting the manufacturer's authorized representative.
- Failure to heed these warnings may result in serious or fatal personal injury and/or property damage.

Parts List

PART#	DESCRIPTION	QTY
1	Bolt	2
2	Beam	1
3	Rubber Plunger	2
4	Washer	2
5	Lock Washer	2
6	Nut	2
7	Connector	1
8	Pin	1



TradeQuip products have been carefully tested and inspected before shipment and are guaranteed to be free from defective materials and workmanship for a period of 12 months from the date of purchase except where tools are hired out when the guarantee period is ninety days from the date of purchase.

Should this piece of equipment develop any fault, please return the complete tool to your nearest authorised warranty repair agent or contact TQB Brands Pty Ltd Warranty team – warranty@tqbbrands.com.au.

If upon inspection it is found that the fault occurring is due to defective materials or workmanship, repairs will be carried out free of charge. This guarantee does not apply to normal wear and tear, nor does it cover any damage caused by misuse, careless or unsafe handling, alterations, accident, or repairs attempted or made by any personnel other than the authorised TQB Brands Pty Ltd repair agent.

This guarantee applies in lieu of any other guarantee expressed or implied and variations of its terms are not authorised.

Your TQB Brands Pty Ltd guarantee is not effective unless you can produce upon request a dated receipt or invoice to verify your proof of purchase within the 12month period.

Consumer Guarantee

Our goods come with a guarantee that cannot be excluded under the Australian Consumer Law. You are entitled to a replacement or refund for a major failure and compensation for any other reasonably foreseeable loss or damage. You are also entitled to have the goods repaired or replaced if the goods fail to be of acceptable quality and the failure does not amount to a major failure.



All images and illustrations shown are for reference purposes only. All information, specifications and illustrations in this manual are based on the latest information available at the time of publication and are subject to change without notice. The information in this manual is periodically revised to ensure the latest information is included. Download the latest version of this manual and other related technical documentation from www.tqbbrands.com.au